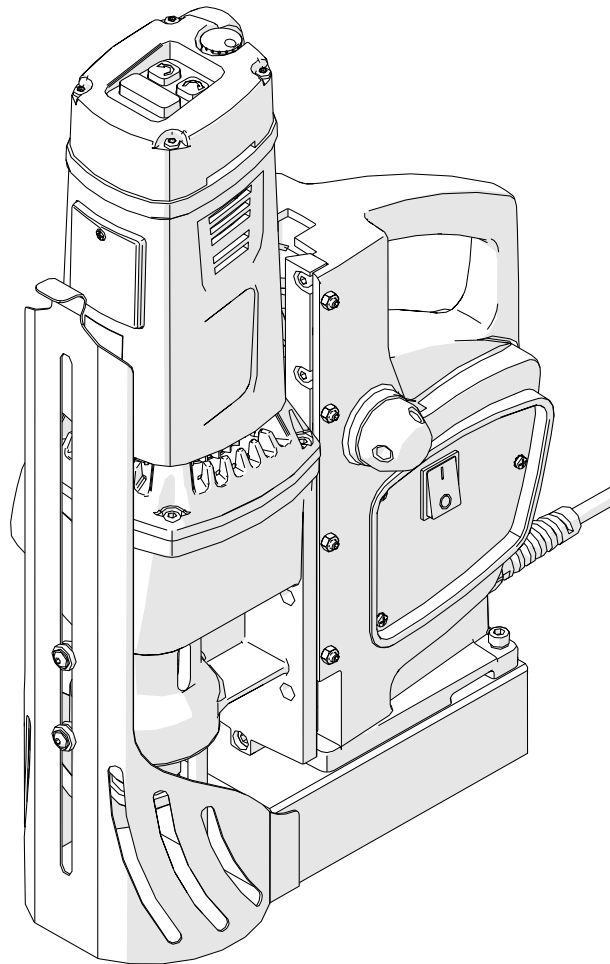
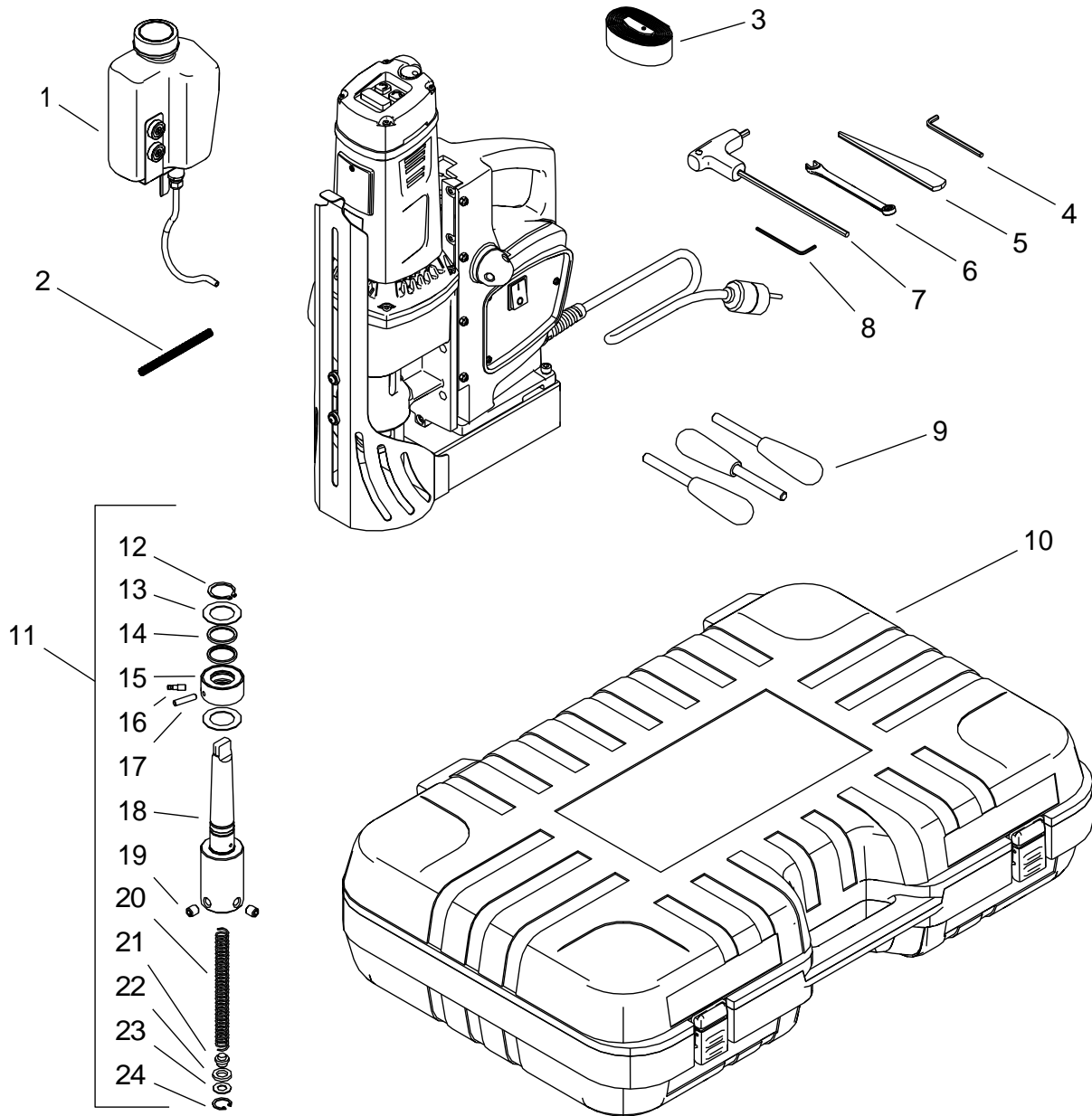


Parts list

Drilling machine with electromagnetic base **STEELBEAST PRO 72T**



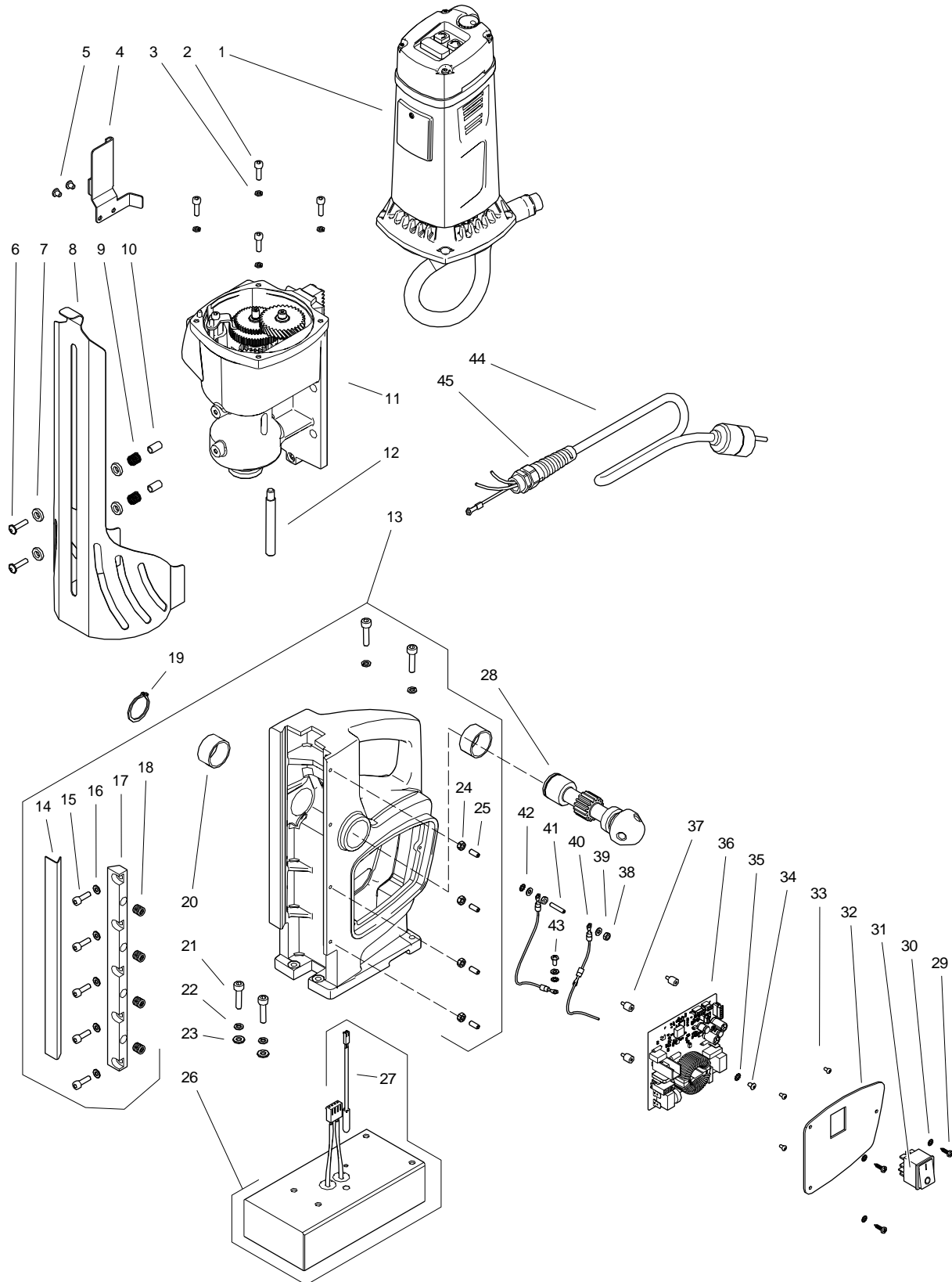


Item.	Part Number	Description	QTY
1	UKL-0600-11-00-00-0	COOLANT SYSTEM ASSY	1
2	OSL-0399-17-00-00-0	SAFETY SPRING	1
3	PAS-000008	SAFETY STRAP 500	1
4	KLC-0600-10-00-00-0	4 MM HEX WRENCH	1
5	KLN-0103-01-00-00-0	WEDGE MT2	1
6	KLC-000003	8 MM COMBINATION WRENCH	1
7	KLC-000037	5 MM HEX WRENCH WITH HANDLE	1
8	KLC-000005	2.5 MM HEX WRENCH	1
9	DZW-0212-12-00-00-0	SPOKE HANDLE ASSY	3
10	SKR-000017	BOX	1
11	UCW-0686-07-00-00-0	ARBOR ASSY AMT2-C-19/2-2	1
12	PRS-000017	EXTERNAL RETAINING RING 25z	1
13	PDK-0234-00-09-00-0	WASHER II	2
14	PRS-000105	SEAL O-RING 25.2x3	2
15	TLJ-0284-00-07-00-1	COOLING SLEEVE	1

This document is protected by copyrights.

Copying, using, or distributing without permission of Drilling & Cutting Solutions Ltd is prohibited.

Item.	Part Number	Description	QTY
16	KNC-0234-00-10-00-0	CONNECTOR	1
17	PRT-0151-06-13-00-7	ROD L=35	1
18	KRP-0686-07-01-00-0	ARBOR BODY AMT2-C-19/2-2	1
19	WKR-000032	HEX SOCKET SET SCREW WITH FLAT POINT	2
20	SPR-0154-00-03-00-0	SPRING	1
21	WYP-0154-00-02-00-0	PLUNGER	1
22	USZ-0140-05-04-00-0	SEAL	1
23	PDK-0139-00-04-00-0	WASHER 18.8x10x1	1
24	PRS-000009	INTERNAL RETAINING RING 19	1



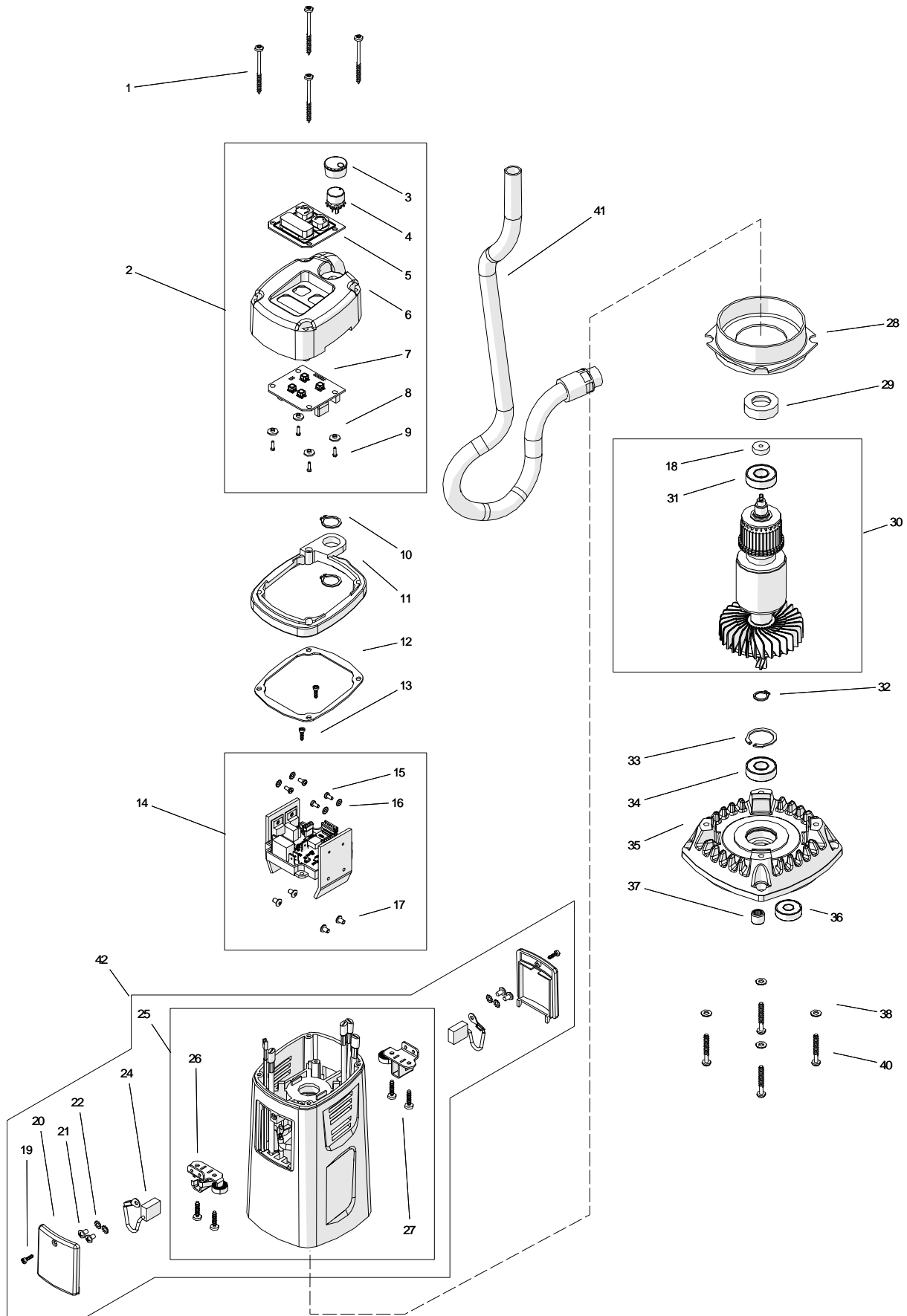
ITEM	PART NUMBER	DESCRIPTION	QTY
1	SLN-0600-01-00-00-0	MOTOR – 115V	1
1	SLN-0600-01-00-00-1	MOTOR – 230V	1
2	SRB-000083	HEX SOCKET HEAD CAP SCREW M5x16	4
3	PDK-000044	SPRING WASHER 5.1	4
4	MCW-0600-04-00-00-0	COOLANT BOOTLE BRACKET	1

This document is protected by copyrights.

Copying, using, or distributing without permission of Drilling & Cutting Solutions Ltd is prohibited.

5	WKR-000413	CROSS RECESSED PAN HEAD SCREW M5x6	2
6	WKR-000395	HEX SOCKET ROUND HEAD SCREW WITH FLANGE M5x20	2
7	PDK-000151	NYLON WASHER 8.1x14x3	4
8	OSL-0600-05-00-00-0	GUARD	1
9	SPR-000030	PUSH SPRING 1x10x17.5	2
10	TLJ-0399-06-00-00-0	SLEEVE	2
11	ZSP-0686-02-00-00-0	GEARBOX ASSY	1
12	PLC-0686-02-03-00-0	STOP ROD	1
13	STJ-0686-03-00-00-0	BODY ASSY	1
14	LST-0600-03-01-03-0	GIB	1
15	SRB-000085	HEX SOCKET SCREW M5x16	5
16	PDK-000017	WASHER 5,3	5
17	LST-0600-03-01-02-0	ADJUSTABLE GIB	1
18	SPR-000043	SPRING 1.6x8x14.5	4
19	PRS-000019	EXTERNAL RETAINING RING 28z	1
20	TLJ-000010	SELF-LUBRICATING SLEEVE 28,05H7x32x16	2
21	SRB-000115	HEX SOCKET SCREW M6x25	4
22	PDK-000046	SPRING WASHER 6.1	4
23	PDK-000020	WASHER 6.4	2
24	NKR-000015	HEX NUT M5	4
25	WKR-000044	HEX SOCKET HEAD CUP SCREW M5x12	5
26	PDS-0686-03-03-00-0	ELECTROMAGNETIC BASE ASSY	1
27	WZK-0563-03-02-02-0	REED WIRES SET (W15)	1
28	WLK-0630-03-02-00-0	PINION SHAFT	1
29	WKR-000415	CROSS RECESSED PAN HEAD SELF-TAPPING SCREW 3.5x13	3
30	PDK-000161	EXTERNAL TOOTH LOCK WASHER 3.7	3
31	PNK-000013	MAGNET SWITCH	1
32	MSK-0600-06-01-00-0	PANEL PLATE	1
33	WKR-000180	CROSS RECESSED PAN HEAD SCREW M3x5	3
34	PDK-000166	EXTERNAL TOOTH LOCK WASHER 4,3	1
35	WKR-000192	HEX SOCKET HEAD CUP SCREW M4x6	1
36	MDL-0600-80-03-00-0	ELECTROMAGNETIC BASE MODULE (BB1) – 115V	1
36	MDL-0600-80-04-00-0	ELECTROMAGNETIC BASE MODULE (BB1) – 230V	1
37	WBR-000004	DAMPER	3
38	PWD-0563-03-10-00-0	SAFETY WIRE SET (W3)	1
39	WKR-000193	CROSS RECESSED PAN HEAD SCREW M4x8	1
40	PDK-000060	EXTERNAL TOOTH LOCK WASHER 4.3	2
41	PWD-0600-08-01-00-0	POWERCORD 115V WITH STRAIN RELIEF ASSY (AWG) (W8)	1
41	PWD-0600-08-02-00-0	POWERCORD 230V WITH STRAIN RELIEF ASSY (EU) (W8)	1
41	PWD-0600-08-03-00-0	POWERCORD 230V WITH STRAIN RELIEF ASSY (AUSTRALIA) (W8)	1
41	PWD-0600-08-04-00-0	POWERCORD 230V WITH STRAIN RELIEF ASSY (INDIE) (W8)	1
41	PWD-0600-08-05-00-0	POWERCORD 230V WITH STRAIN RELIEF ASSY (UK) (W8)	1
42	DLW-000007	CABLE GLAND WITH STRAIN RELIEF PG13.5	1
43*	PWD-0563-10-00-00-0	GROUNDING WIRE SET	1

*not shown in the drawing

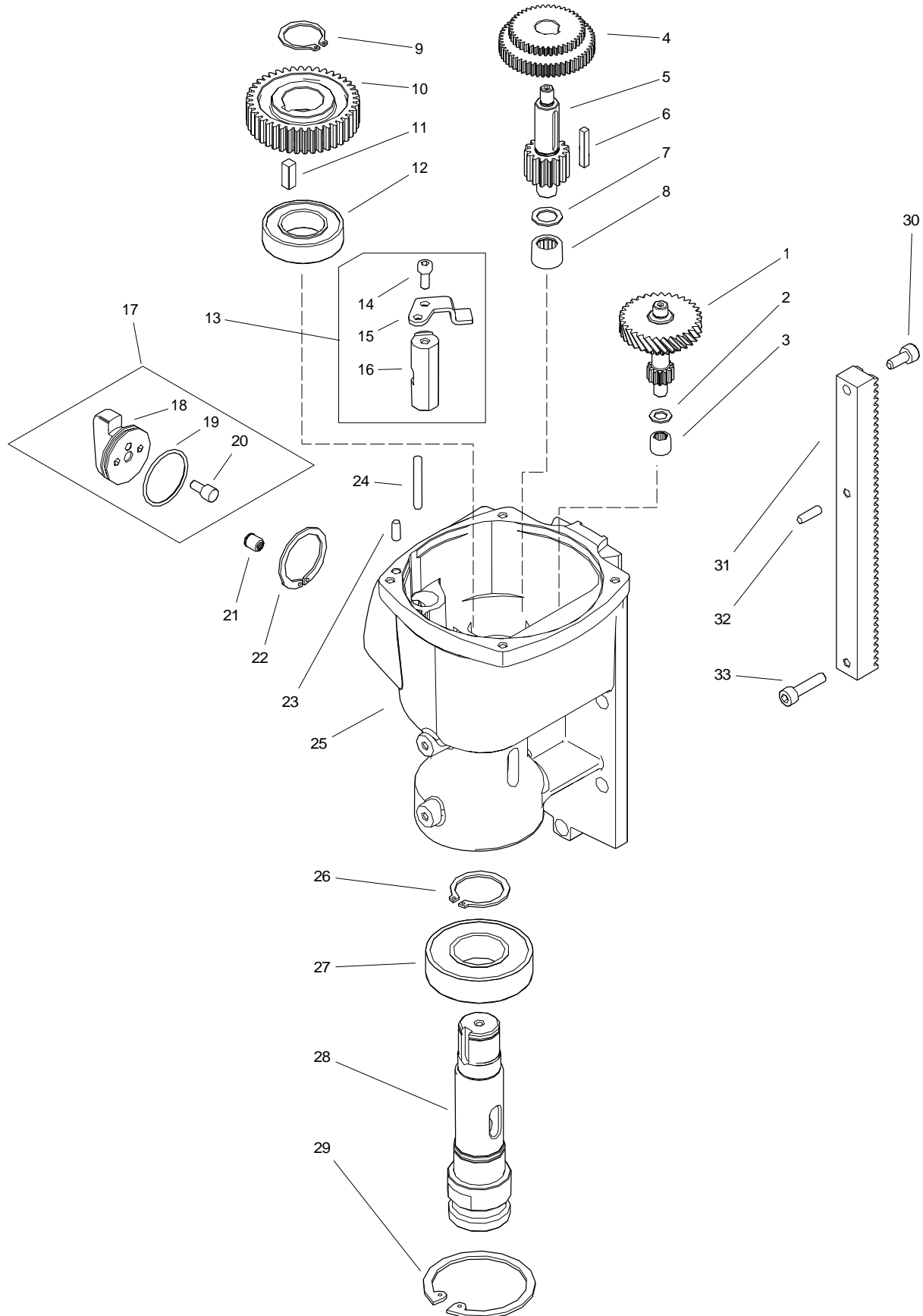


ITEM	PART NUMBER	DESCRIPTION	QTY
1	WKR-000529	TORX PAN HEAD SCREW 4x50	4
2	PKR-0563-01-06-00-0	STATOR COVER ASSY	1
3	PKT-0563-01-06-04-0	POTENTIOMETER KNOB	1
4	PTN-000039	POTENTIOMETER	1
5	OSL-0563-01-06-02-0	BUTTON COVER	1
6	PKR-0563-01-06-01-0	STATOR COVER	1
7	MDL-0563-80-05-01-0	KEYBOARD MODULE (OB1)	1
8	TLJ-000151	INSULATION SLEEVE 2.6x3.9	4
9	WKR-000458	SCREW FOR PLASTIC 2.2x8	4
10	PRS-000238	EXTERNAL RETAINING RING 16z	2
11	SYG-0563-01-05-01-0	SIGNALLER	1
12	MDL-0563-80-04-00-0	SIGNALING MODULE (LB1)	1
13	WKR-000506	SCREW FOR PLASTIC 3x10	2
14	ZSP-0600-07-00-00-0	ELECTRONIC CONTROL UNIT ASSY (MB1) - 115V	1
14	ZSP-0600-07-00-00-1	ELECTRONIC CONTROL UNIT ASSY (MB1) - 230V	1
15	WKR-000181	CROSS RECESSED PAN HEAD SCREW M3x6	4
16	PDK-000058	EXTERNAL TOOTH LOCK WASHER 3,2	4
17	WKR-000292	HEX SOCKET HEAD CUP SCREW M4x6	4
18	IMP-000002	PULSE GENERATOR	1
19	WKR-000506	SCREW FOR PLASTIC 3x10	2
20	PKR-0563-01-09-00-0	BRUSH COVER	2
21	WKR-000192	CROSS RECESSED PAN HEAD SCREW M4x6	4
22	PDK-000060	EXTERNAL TOOTH LOCK WASHER 4.3	4
24	SCZ-000035	BRUSH – 115V	2
24	SCZ-000036	BRUSH – 230V	2
25	OBD-0600-99-01-00-0	STATOR HOUSING ASSY – 115V	2
25	OBD-0600-99-01-00-1	STATOR HOUSING ASSY – 230V	2
26	SCT-000013	BRUSH HOLDER	2
27	WKR-000300	SCREW FOR PLASTIC 4x16	4
28	OBD-0563-01-07-00-0	FAN COVER	1
29	WKL-000046	BEARING INSERT	1
30	WRN-0600-99-00-00-0	ROTOR ASSY – 115V	1
30	WRN-0600-99-00-00-1	ROTOR ASSY – 230V	1
31	LOZ-000158	BALL BEARING 12x28x8	1
32	PRS-000003	EXTERNAL RETAINING RING 12z	1
33	PRS-000356	INTERNAL RETAINING RING 28w	1
34	LOZ-000025	BALL BEARING 12x28x8	1
35	PKR-0630-01-02-01-1	GEARBOX COVER	1
36	LOZ-000057	BALL BEARING 9x24x7	1
37	LOZ-000006	NEEDLE BEARING 8x12x10	1
38	PDK-000017	ROUND WASHER 5.3	4
40	WKR-000525	TORX PAN HEAD TAPPING SCREW 5x30	4
41	WZK-0600-01-03-00-0	MOTOR WIRE SET (W9)	1
42	OBD-0600-99-02-00-0	MOTOR COVER WITH STATOR ASSY – 115V	1
42	OBD-0600-99-02-00-1	MOTOR COVER WITH STATOR ASSY – 230V	1
43*	WZK-0563-01-06-07-0	POTENTIOMETER WIRE SET (W6)	1
44*	WZK-0563-01-11-00-0	LED WIRE SET (W4)	1
45*	WZK-0563-01-12-00-0	CONTROLLER WIRE SET (W2)	1
46*	PWD-0563-01-13-00-0	BRUSH HOLDER WIRE (W14)	1
47*	PWD-0563-09-02-00-0	CONTROLLER WIRE SET (W12)	1
48*	PWD-0563-09-03-00-0	CONTROLLER WIRE SET (W13)	1

*not shown in the drawing

This document is protected by copyrights.

Copying, using, or distributing without permission of Drilling & Cutting Solutions Ltd is prohibited.



ITEM	PART NUMBER	DESCRIPTION	QTY
1	WLK-0630-02-02-00-0	CLUTCH SHAFT ASSY	1
2	PDK-0211-00-16-00-0	WASHER 8,1x13x1	1

This document is protected by copyrights.

Copying, using, or distributing without permission of Drilling & Cutting Solutions Ltd is prohibited.

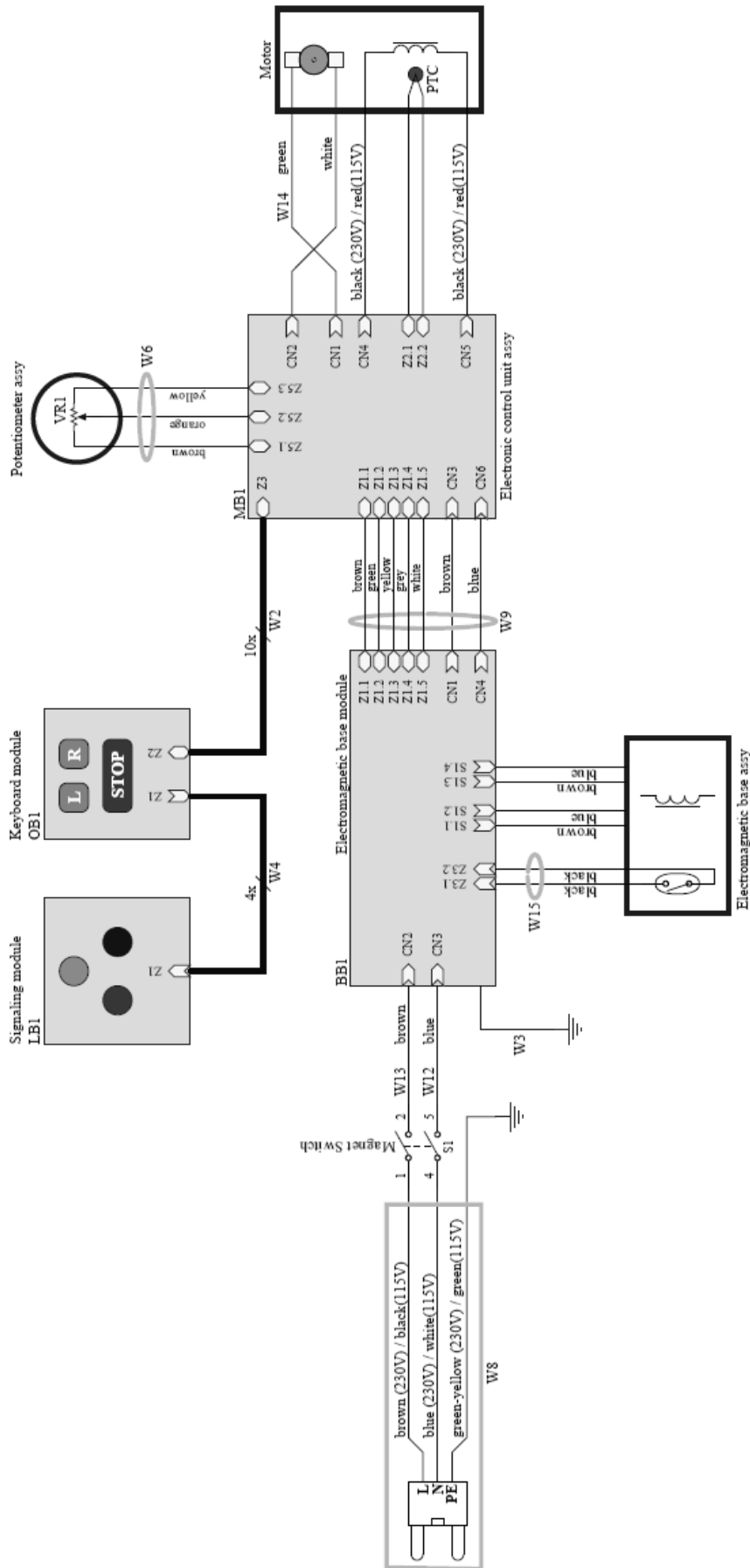
ITEM	PART NUMBER	DESCRIPTION	QTY
3	LOZ-000006	NEEDLE BEARING 8x12x10	1
4	KOL-0630-02-03-00-0	GEAR z42 z54 m=1	1
5	WLK-0630-02-04-00-0	GEAR SHAFT z12 m=1,5	1
6	WPS-0563-02-20-00-1	PARALLEL KEY 4x4x25	1
7	PDK-000164	WASHER 12x18x1	1
8	LOZ-000171	NEEDLE BEARING 12x18x12	1
9	PRS-000322	EXTERNAL RETAINING RING 24z	1
10	KOL-0630-02-05-00-0	GEAR z45 m=1,5	1
11	WPS-0630-02-08-00-0	PARALLEL KEY 6x6x16	1
12	LOZ-000028	BALL BEARING 25x47x12	1
13	WDZ-0630-02-07-00-0	SLIPPER ASSY	1
14	SRB-000078	HEX SOCKET HEAD CUP SCREW M5x12	1
15	ZCZ-0630-02-07-02-0	SLIPPER BRACKET	1
16	WLK-0630-02-07-01-0	SLIPPER SHAFT	1
17	PKT-0563-02-12-00-0	SHIFT KNOB ASSY	1
18	KRP-0563-02-12-01-1	SHIFT KNOB	1
19	PRS-000327	OS-RING - 32x2	1
20	KLK-0599-02-09-02-0	KNOB PIN	1
21	ZTR-000001	BALL LOCK 8	1
22	PRS-000346	INTERNAL RETAINING RING 36w	1
23	KLK-000045	DOWEL PIN 5n6x12	1
24	KLK-000111	DOWEL PIN 5n6x35	1
25	KRP-0600-02-01-01-1	GEARBOX BODY	1
26	PRS-000021	EXTERNAL RETAINING RING 30z	1
27	LOZ-000075	BALL BEARING 30x62x16	1
28	WRZ-0600-02-02-00-0	SPINDLE	1
29	PRS-000035	INTERNAL RETAINING RING 62w	1
30	SRB-000105	HEX SOCKET HEAD CAP SCREW M6x14	1
31	LST-0600-02-01-02-0	GEAR RACK	1
32	KLK-000047	DOWEL PIN 5n6x16	1
33	SRB-000117	HEX SOCKET HEAD CAP SCREW M6x25	1
34*	SMR-000001	GRASE	0,3

*not shown in the drawing

WIRING DIAGRAM

This document is protected by copyrights.

Copying, using, or distributing without permission of Drilling & Cutting Solutions Ltd is prohibited.



ELECTRONIC CONTROL UNIT ASSY

