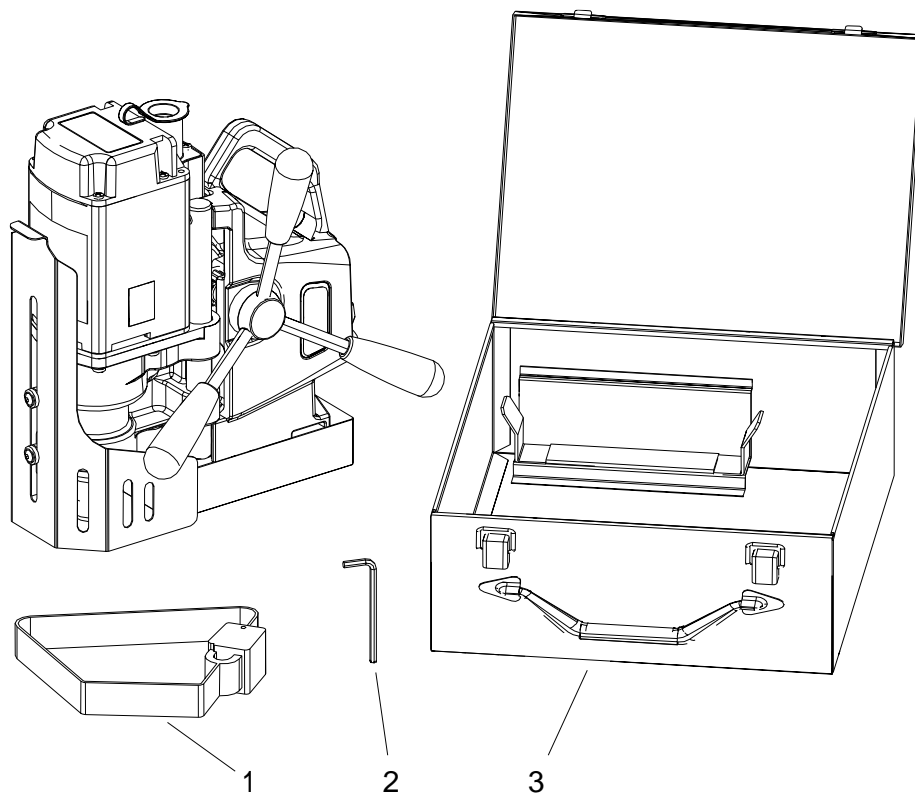


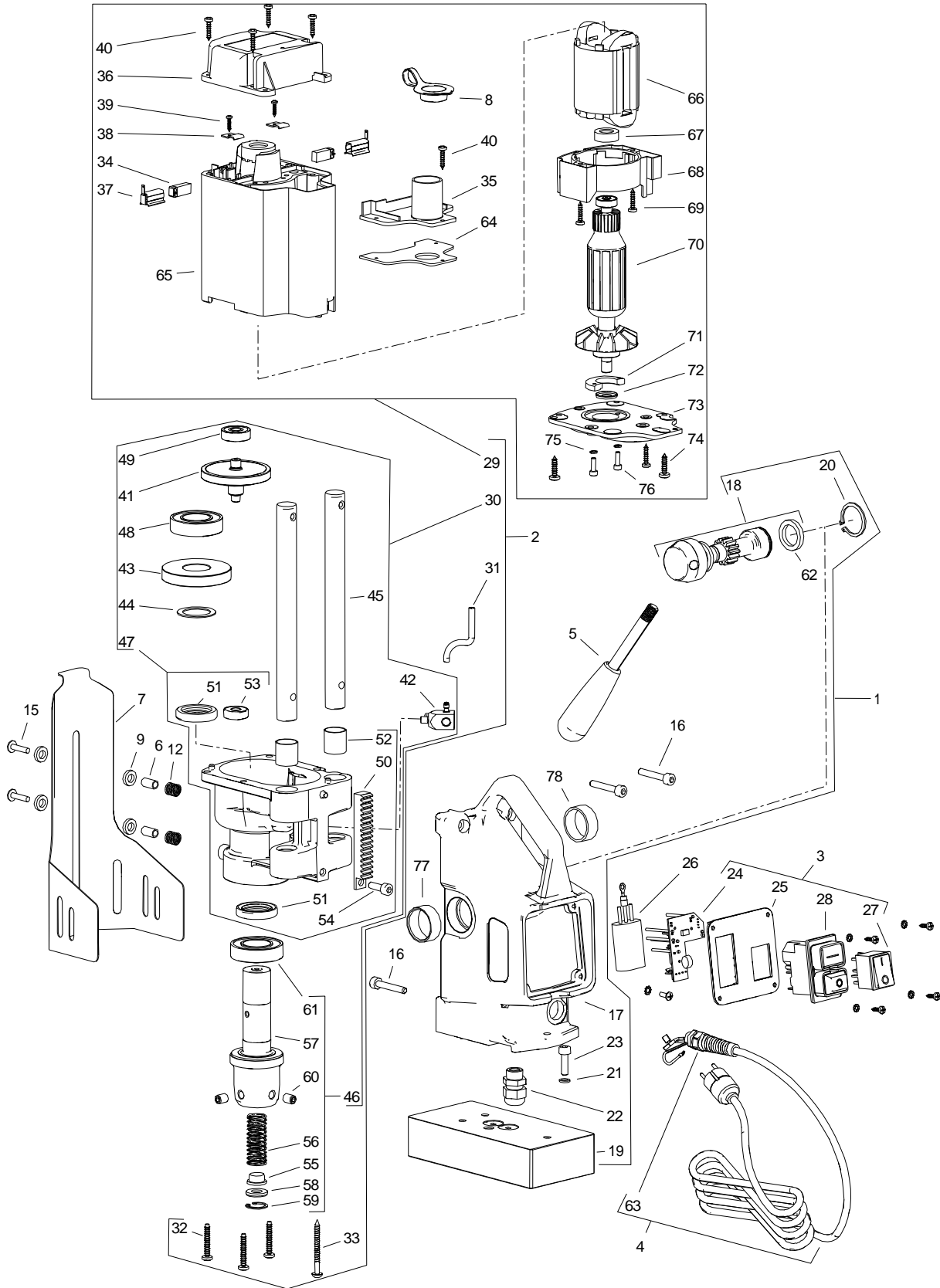
## **Parts list**

### **Drilling machine with electromagnetic base MINIBEAST**





ITEM	PART NUMBER	DESCRIPTION	Q-TY
1	JEI-STRAP	SAFETY STRAP 250	1
2	AIR45-24.3	4 MM HEX WRENCH	1
3	CASE-MINIBEAST	PLASTIC BOX	1



ITEM	PART NUMBER	DESCRIPTION	Q-TY
3	JM201.04-220V	CONTROL PANEL ASSY - 230V	1
3	JM201.04-110V	CONTROL PANEL ASSY - 120V	1
4	0014200	POWER CORD 230V WITH PLUG	1
4	0012180	POWER CORD 120V WITH PLUG	1
5	06315-S	SPOKE HANDLE INCLUDING KNOB (ASSY)	3
6	MB4.6	BOTTOM SLEEVE	2
7	HM40.15	GUARD ASSY	1
8	06320	COOLANT BOTTLE PLUG	1
9	MB4.17	NYLON WASHER 8.1x14x3	4
10	MB4.22	EXTERNAL TOOTH LOCK WASHER 3.7	4
11	MB4.15	EXTERNAL TOOTH LOCK WASHER 4.3	1
12	MB4.12	PUSH SPRING	2
13	MB4.21	CROSS RECESSED PAN HEAD SELF-TAPPING SCREW 3.5x13	4
14	MB4.13	CROSS RECESSED PAN HEAD SCREW M4x10	1
15	MB4.18	HEX SOCKET ROUND HEAD SCREW WITH FLANGE M5x20	2
16	JM201.16	HEX SOCKET HEAD CAP SCREW M6x35	4
17	JM201.01.01	MAIN BODY ASSY	1
18	JM201.01.02	PINION SHAFT ASSY	1
19	JM201.01.04	ELECTROMAGNETIC BASE ASSY	1
20	MB4.14	EXTERNAL RETAINING RING 28z	1
21	HM40.1.4	SPRING WASHER 6,1	3
22	HM40.4	SNAP BUSHING	1
23	HM40.1.5	HEX SOCKET HEAD CAP SCREW M6x20	3
24	JM201.SW30M-220VN	PC BOARD 220V	
24	JM201.SW30M-110VN	PC BOARD 110V	1
25	JM201.04P	PANEL PLATE ASSY	1
26	JM201.49	INTERFERENCE ELIMINATOR	1
27	35708	MAGNET SWITCH	1
28	35707.3-220	MOTOR ON/OFF (4 TERMINAL) 220V	1
28	35707.3-110	MOTOR ON/OFF (4 TERMINAL) 110V	1
29	JM201.03N-220V	MOTOR ASSY - 230V	1
29	JM201.03N-110V	MOTOR ASSY - 120V	1
30	JM201.30	GEARBOX ASSY	1
31	JM201.02.05	4MM PLASTIC HOSE	1
32	JM201.31	SELF-TAPPING SCREW 5x30	3
33	JM201.33	SELF-TAPPING SCREW 5x50	1
34	JM201.03.11	MOTOR BRUSH 6x9x17 (1)	2
35	JM201.35	CONTAINER COVER	1
36	JM201.36A	MOTOR CAP ASSY	1
37	JM201.03.10	BRUSH HOLDER	2
38	JM201.03.12	BRUSH HOLDER PRESSURE PLATE	2
39	JM201.39	CROSS RECESSED COUNTERSUNK HEAD SHEET METAL SCREW 2.9x13	2
40	JM201.40	PAN HEAD SELF-TAPPING SCREW 3.9x19	5
41	JM201.02.03	PINION SHAFT ASSY	1
42	JM201.42	COOLANT VALVE	1
43*	JM201.11	GEAR - 52	1
44*	JM201.44	DISTANCE RING	1
45	JM201.02.07	GUIDE	2
46	JM201.46	MOTOR SPINDLE ASSY	1
47*	JM201.47	GEARCASE ASSY	1
48*	HM155	BALL BEARING 25x47x12	1
49	JM201.02.10	BALL BEARING 9x26x8	1
50	JM201.02.01.02	GEAR RACK	1

ITEM	PART NUMBER	DESCRIPTION	Q-TY
51*	JM201.1.1.5	SEAL 25x37x7	2
52	JM201.28	SLIDE BUSHING 18x20x20	4
53	04544	BALL BEARING 8x22x7	1
54	JM201.54	HEX SOCKET HEAD CAP SCREW M6x18	1
55	JM201.02.02	PLUNGER	1
56	JM201.02.02.03	SPRING	1
57*	JM201.57	MOTOR SPINDLE	1
58	JM201.02.02.05	SEAL	1
59	0215067	INTERNAL RETAINING RING 19w	1
60	JM201.60	HEX SOCKET SET SCREW WITH FLAT POINT M8x10	2
61*	07122	BALL BEARING 25x47x12	1
62	JM201.62	SEAL	1
63	0151064	CABLE GLAND WITH STRAIN RELIEF PG11	1
64	JM201.06	SEAL	1
65	JM201.1.1N	MOTOR CASING	1
66	JM201.1.4-110	FIELD 110V	1
66	JM201.1.4-220	FIELD 220V	1
67	JM201.12MA	BEARING INSERT 19x7.5	1
68	LP35P-M10	GUARD FAN	1
69	JM201.40	PAN HEAD SELF-TAPPING SCREW 3.9x19	3
70	JM201.2.3-110	ARMATURE 110V	1
70	JM201.2.3-220	ARMATURE 220V	1
71	LP35P-M13	GEARBOX COVER RING	1
72	LP35P-M14	SEAL	1
73	JM201.73	GEARBOX COVER	1
74	JM201.03.16	CROSS RECESSED PAN HEAD SELF-TAPPING SCREW 4.8x19	2
75	LP35P-M16	SPRING WASHER 4.1	2
76	LP35P-M17	HEX SOCKET HEAD CAP SCREW M4x12	2
77	JM201.77	SLIDE BUSHING WITH BEVEL 28X32X12	
78	JM201.78	SLIDE BUSHING 28X32X12	

\* - before you order read the service manual