

JEI DRILLING AND CUTTING SOLUTIONS

Parts list

DRILLING MACHINE WITH ELECTROMAGNETIC BASE **Minibeast Cordless**

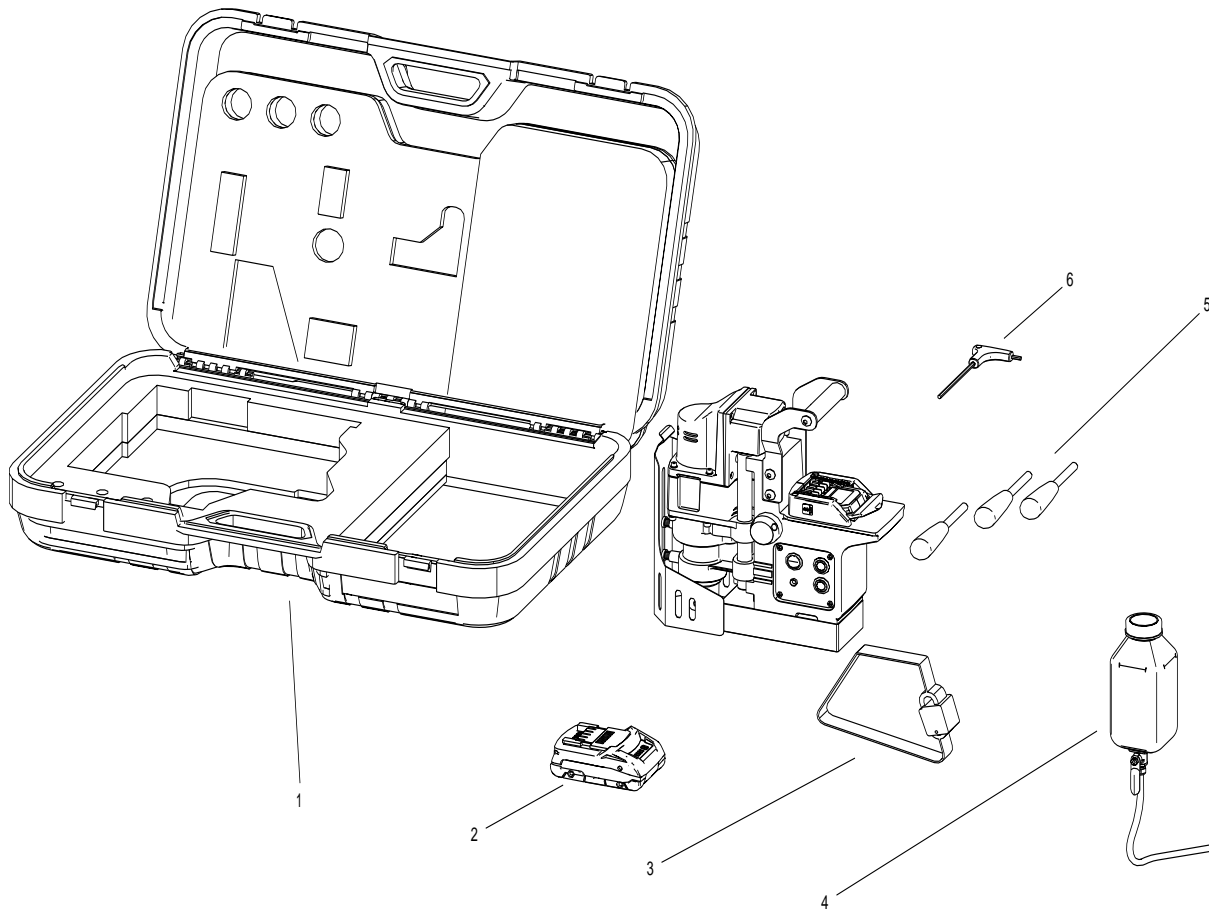


Unit 21 Empire Bus Pk, Enterprise Way, Burnley, Lancs, UK BB12 6LT

Tel.: +44 1706 2294920

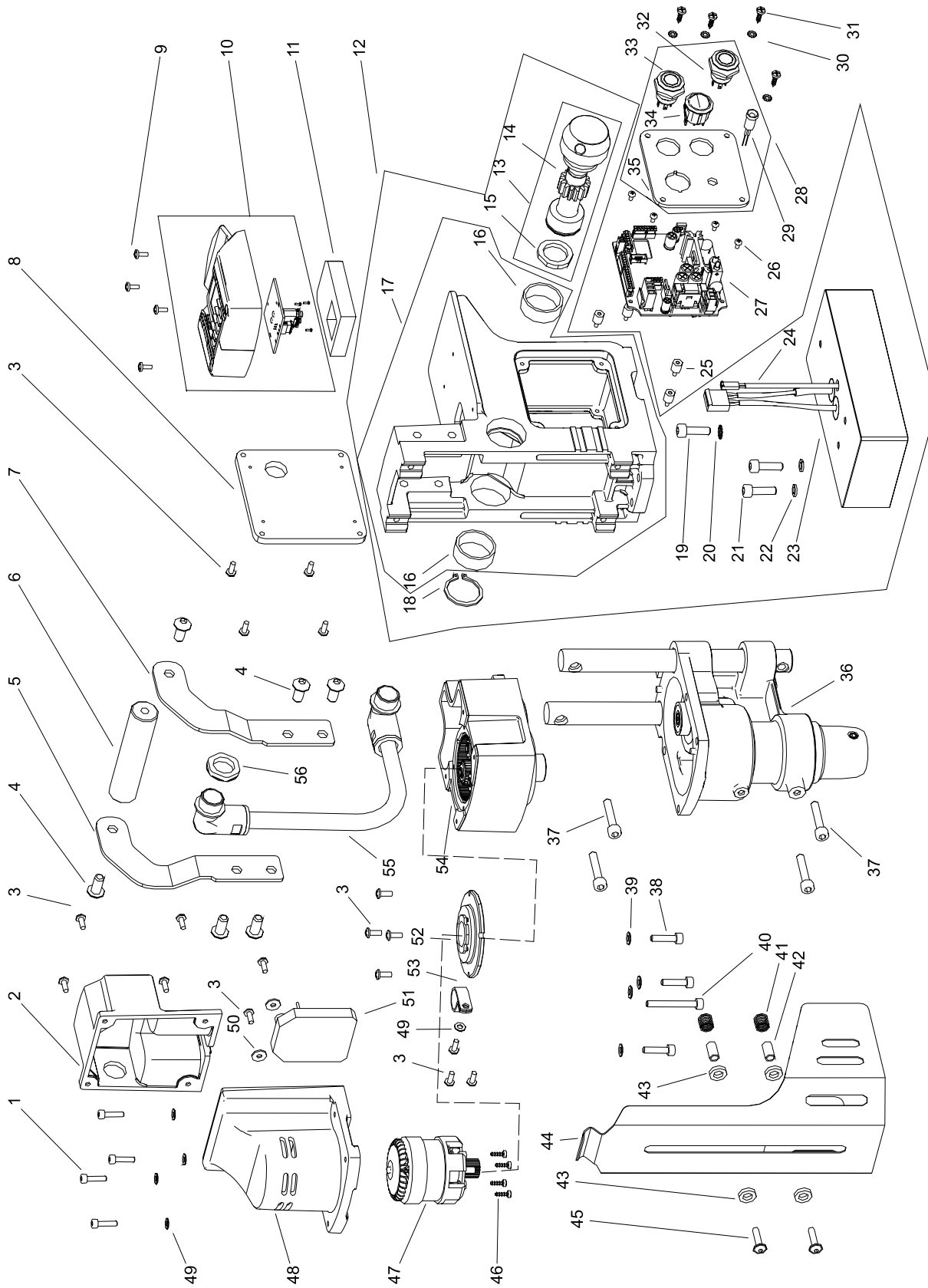
www.jeiu.com e-mail: sales@jeisolutions.co.uk

| POZ. | KOD TOWARU | NAZWA TOWARU | ILOŚĆ |
|------|---------------------|-----------------------------|-------|
| 1 | SKR-0688-99-00-00-0 | PLASTIC BOX | 1 |
| 2 | AKM-000089 | BATTERY | 1 |
| 3 | PAS-000007 | FASTENING BELT | 1 |
| 4 | UKL-0716-04-00-00-0 | COOLING SYSTEM | 1 |
| 5 | DZW-0212-12-00-00-0 | LEVER | 3 |
| 6 | KLC-000036 | HEX WRENCH 4 MM WITH HANDLE | 1 |



This document is protected by copyrights.

Copying, using, or distributing without permission of JEI Drilling & Cutting Solutions is prohibited.



This document is protected by copyrights.

Copying, using, or distributing without permission of JEI Drilling & Cutting Solutions is prohibited.

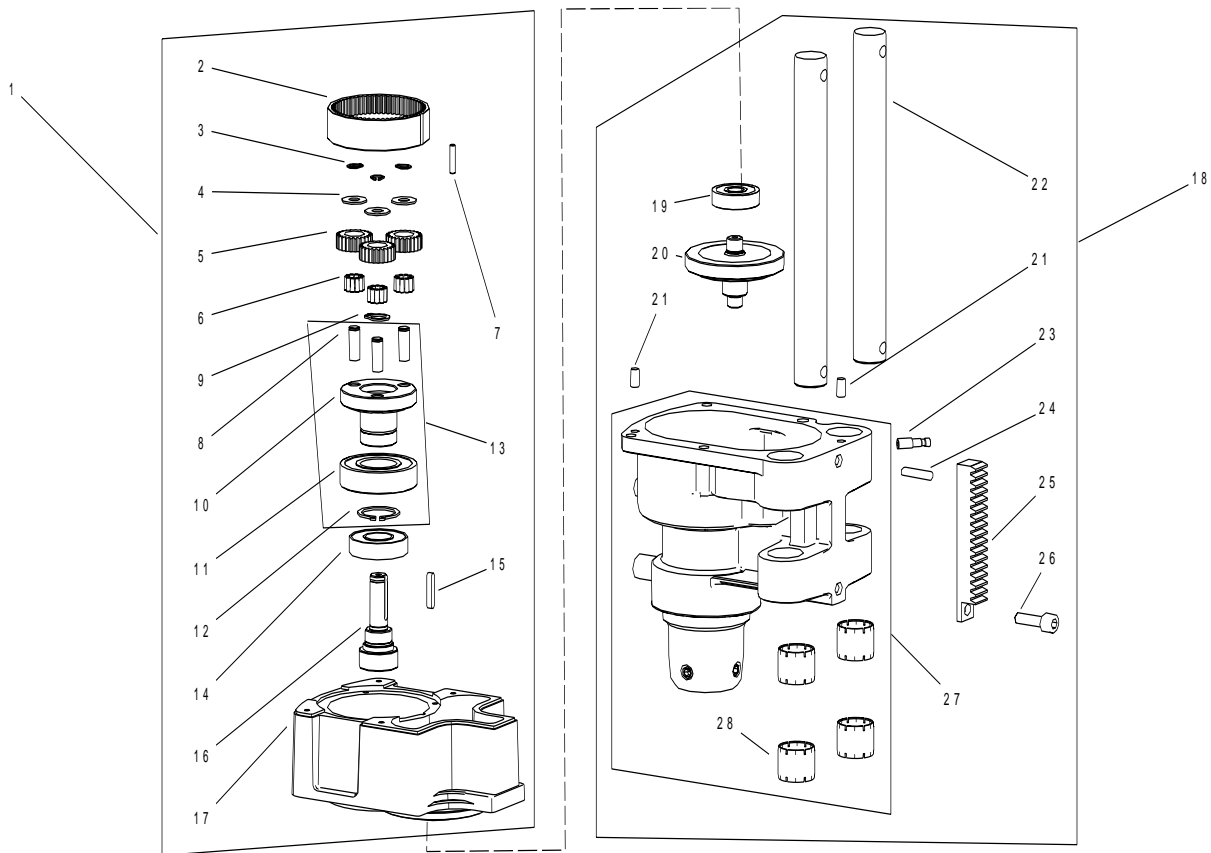
| POZ. | KOD TOWARU | NAZWA TOWARU | ILOŚĆ |
|------|---------------------|---|-------|
| 1 | SRB-000064 | HEX SOCKET HEAD CAP SCREW M4x16 | 4 |
| 2 | PKR-0688-12-00-00-0 | CONTROLLER LID | 1 |
| 3 | WKR-000183 | CROSS RECESSED PAN HEAD SCREW M4x10 | 17 |
| 4 | WKR-000106 | HEX SOCKET BUTTON HEAD SCREW M8x16 | 6 |
| 5 | RAM-0688-08-00-00-0 | HANDLE ARM - RIGHT | 1 |
| 6 | UCW-0676-02-01-03-0 | HANDLE | 1 |
| 7 | RAM-0688-07-00-00-0 | HANDLE ARM - LEFT | 1 |
| 8 | SCN-0688-06-00-00-0 | SIDE WALL | 1 |
| 9 | WKR-000182 | CROSS RECESSED PAN HEAD SCREW M3x8 | 4 |
| 10 | GNZ-0734-01-05-00-0 | BATTERY SOCKET ASSY. | 1 |
| 11 | USZ-0688-17-00-00-0 | SEAL | 1 |
| 12 | STJ-0688-03-00-00-0 | DRILLING MACHINE STAND | 1 |
| 13 | WLK-0271-01-02-00-1 | PINION SHAFT ASSY | 1 |
| 14 | WLK-0271-01-02-01-2 | PINION SHAFT | 1 |
| 15 | PRS-0440-11-02-00-0 | BRAKE RING | 1 |
| 16 | TLJ-000034 | SLIDE BUSHING 28x32x12 | 2 |
| 17 | KRP-0688-03-02-00-0 | DRILLING MACHINE BODY ASSY | 1 |
| 18 | PRS-000019 | EXTERNAL RETAINING RING 28z | 1 |
| 19 | SRB-000113 | HEX SOCKET HEAD CAP SCREW M6x20 | 1 |
| 20 | PDK-000176 | EXTERNAL TOOTH LOCK WASHER 6.4 | 1 |
| 21 | SRB-000114 | HEX SOCKET HEAD CAP SCREW M6x20 | 2 |
| 22 | PDK-000046 | SPRING WASHER 6.1 | 2 |
| 23 | PDS-0688-03-01-00-0 | ELECTROMAGNETIC BASE | 1 |
| 24 | WZK-0242-04-00-00-0 | REED RELAY WIRE SET ASSY | 1 |
| 25 | WBR-000004 | VIBRATION DAMPER | 4 |
| 26 | WKR-000180 | CROSS RECESSED PAN HEAD SCREW M3x5 | 4 |
| 27 | MDL-0688-80-01-00-0 | CONTROLLER MODULE | 1 |
| 28 | PNL-0688-05-00-00-0 | CONTROL PANEL | 1 |
| 29 | WZK-0688-05-05-00-0 | LED HARNESS | 1 |
| 30 | PDK-000161 | EXTERNAL TOOTH LOCK WASHER 3.7 | 4 |
| 31 | WKR-000415 | CROSS RECESSED PAN HEAD SELF-TAPPING SCREW 3.5x13 | 4 |
| 32 | WZK-0688-05-04-00-0 | STOP BUTTON HARNESS | 1 |
| 33 | WZK-0688-05-03-00-0 | START BUTTON HARNESS | 1 |
| 34 | WZK-0688-05-02-00-0 | SWITCH HARNESS | 1 |
| 35 | MSK-0688-99-01-00-0 | PANEL PLATE | 1 |
| 36 | RDK-0688-01-00-00-0 | REDUCER ASSY | 1 |
| 37 | SRB-000119 | HEX SOCKET HEAD CAP SCREW M6x30 | 4 |
| 38 | SRB-000086 | HEX SOCKET HEAD CAP SCREW M5x20 | 3 |
| 39 | PDK-000017 | ROUND WASHER 5.3 | 4 |
| 40 | SRB-000092 | HEX SOCKET HEAD CAP SCREW M5x40 | 1 |
| 41 | SPR-000030 | PRESSURE SPRING | 2 |
| 42 | TLJ-0399-06-00-00-0 | BOTTOM SLEEVE | 2 |
| 43 | PDK-000151 | NYLON WASHER 8.1x14x3 | 4 |
| 44 | OSL-0440-04-00-00-2 | CHIP GUARD ASSY | 1 |
| 45 | WKR-000395 | HEX SOCKET ROUND HEAD SCREW WITH FLANGE M5x20 | 2 |
| 46 | WKR-000506 | SCREW FOR PLASTIC 3x10 | 4 |
| 47 | SLN-0688-04-00-00-0 | BRUSHLESS MOTOR | 1 |

This document is protected by copyrights.

Copying, using, or distributing without permission of JEI Drilling & Cutting Solutions is prohibited.

| POZ. | KOD TOWARU | NAZWA TOWARU | ILOŚĆ |
|------|---------------------|------------------------|-------|
| 48 | OBD-0688-11-00-00-1 | MOTOR HOUSING | 1 |
| 49 | PDK-000015 | ROUND WASHER 4.3 | 5 |
| 50 | PDK-000035 | ROUND WASHER 4.3 | 2 |
| 51 | STR-0688-13-00-00-0 | MOTOR CONTROLLER | 1 |
| 52 | PKR-0688-15-00-00-0 | PLANETARY GEAR LID | 1 |
| 53 | ZCS-000029 | CABLE TERMINAL | 1 |
| 54 | PKL-0688-02-00-00-0 | PLANETARY GEAR | 1 |
| 55 | WZK-0688-09-00-00-0 | MOTOR HARNESS | 1 |
| 56 | NKR-000040 | STRAIN RELIEF NUT PG11 | 1 |
| 57* | SMR-000001 | GREASE | 0,11 |

* - not shown in the drawing

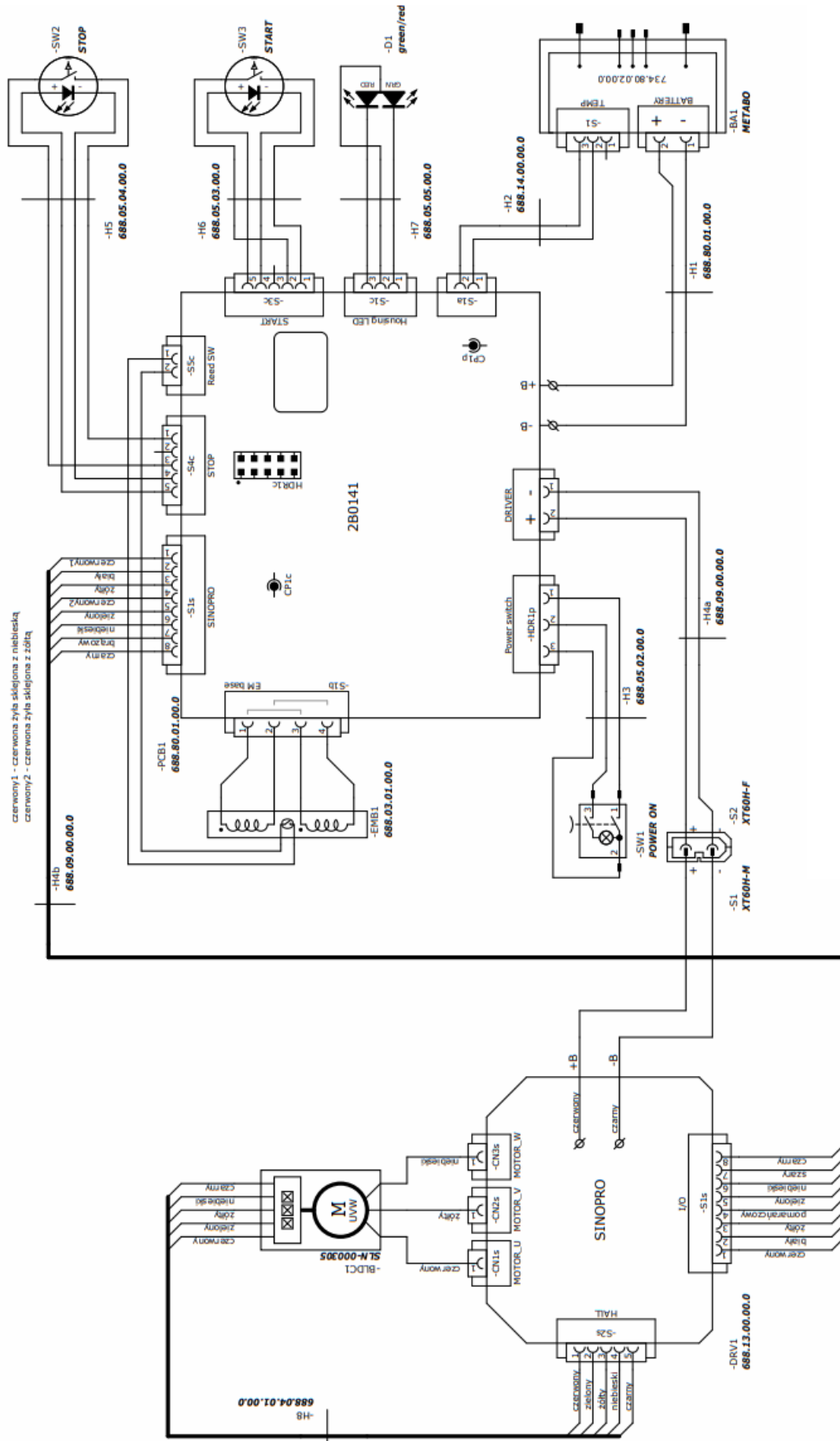


| POZ. | KOD TOWARU | NAZWA TOWARU | ILOŚĆ |
|------|---------------------|-----------------------------|-------|
| 1 | PKL-0688-02-00-00-0 | PLANETARY GEAR | 1 |
| 2 | KOL-0688-02-03-00-0 | GEAR z62 | 1 |
| 3 | PRS-000037 | EXTERNAL RETAINING RING 6z | 3 |
| 4 | PDK-000126 | WASHER, 14x6,1x1 | 3 |
| 5 | KOL-0688-02-04-00-0 | GEAR z23 | 3 |
| 6 | IGL-000002 | NEEDLE 2.5x7.8 | 30 |
| 7 | KLK-000164 | CYLINDRICAL PIN | 1 |
| 8 | CZP-000001 | PIN, 6x19,,8 | 3 |
| 9 | PRS-000002 | EXTERNAL RETAINING RING 10z | 1 |

This document is protected by copyrights.

Copying, using, or distributing without permission of JEI Drilling & Cutting Solutions is prohibited.

| POZ. | KOD TOWARU | NAZWA TOWARU | ILOŚĆ |
|-------------|---------------------|---------------------------------|--------------|
| 10 | JRZ-0688-02-01-01-0 | GEAR YOKE | 1 |
| 11 | LOZ-000046 | BALL BEARING 20x42x12 | 1 |
| 12 | PRS-000011 | EXTERNAL RETAINING RING 20z | 1 |
| 13 | JRZ-0688-02-01-00-0 | GEAR YOKE ASSY | 1 |
| 14 | LOZ-000041 | BALL BEARING 15x32x9 | 1 |
| 15 | WPS-000087 | PARALLEY KEY 3x3x20 | 1 |
| 16 | WLK-0688-02-05-00-0 | PINION SHAFT z19 | 1 |
| 17 | KRP-0688-02-02-00-1 | GEAR BODY | 1 |
| 18 | RDK-0688-01-00-00-0 | REDUCER | 1 |
| 19 | LOZ-000072 | BALL BEARING 9x26x8 | 1 |
| 20 | WLK-0688-01-01-00-0 | PINION SHAFT z53 | 1 |
| 21 | KLK-000044 | DOWEL PIN 5n6x10 | 2 |
| 22 | PRT-0440-02-02-00-1 | GUIDE | 2 |
| 23 | KNC-0234-00-10-00-0 | HOSE FITTING | 1 |
| 24 | KLK-000048 | DOWEL PIN 5n6x18 | 1 |
| 25 | LST-0271-02-01-02-1 | TOOTH STRIP | 1 |
| 26 | SRB-000111 | HEX SOCKET HEAD CAP SCREW M6x18 | 1 |
| 27 | KRP-0688-99-02-00-0 | REDUCER BODY | 1 |
| 28 | LOZ-000217 | PRETENSIONED SLIDE BEARING | 4 |



This document is protected by copyrights.

Copying, using, or distributing without permission of JEI Drilling & Cutting Solutions is prohibited.