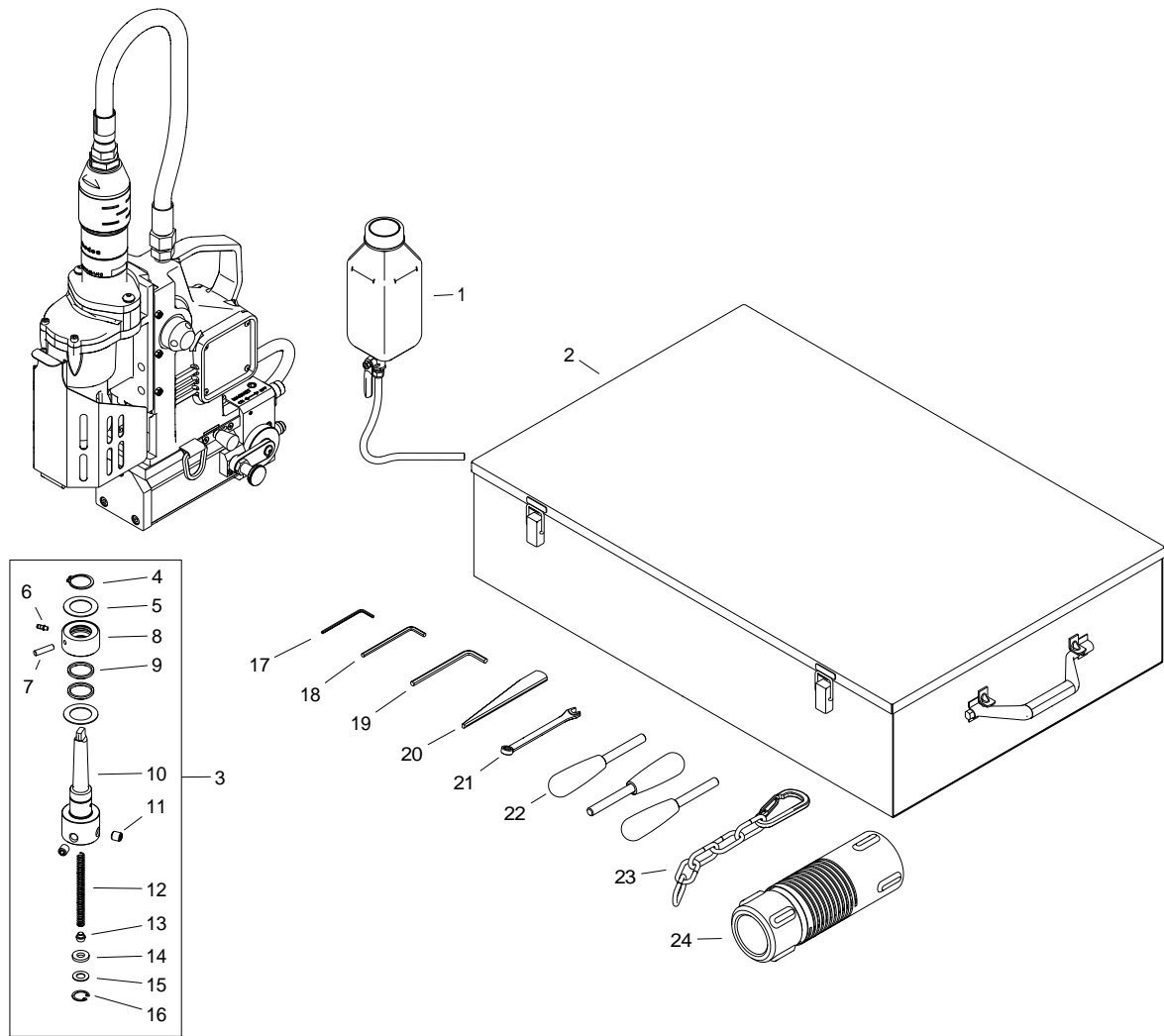


Spare Parts List

AIRBEAST 45 - ATEX **DRILLING MACHINE WITH MAGNETIC BASE**



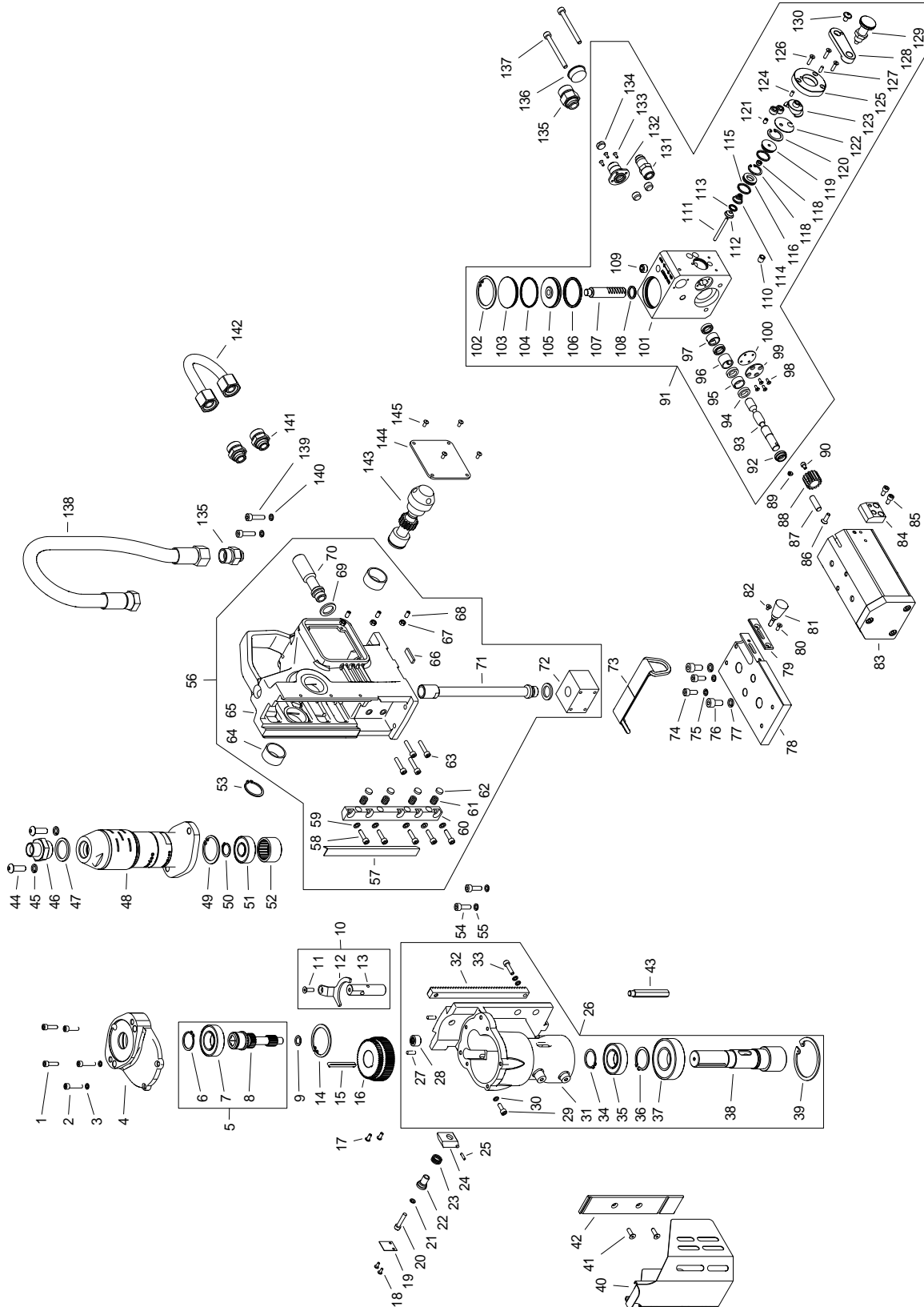


ITEM	PART NUMBER	DESCRIPTION	Q-TY
1	UKL-0399-11-00-00-0	COOLING SYSTEM	1
2	SKR-0459-16-00-00-1	METAL BOX	1
3	UCW-0220-00-00-05-0	ARBOR AMT2-C19/2-2	1
4	PRS-000017	EXTERNAL RETAINING RING 25z	1
5	PDK-0234-00-09-00-0	WASHER II	2
6	KNC-0257-05-03-04-1	CONNECTOR	1
7	PRT-0151-06-13-00-7	ROD L=25	1
8	TLJ-0284-00-07-00-3	COOLANT RING	1
9	PRS-000105	SEAL O-RING 25.2x3	2
10	KRP-0220-00-02-00-0	ARBOR BODY	1
11	WKR-000032	HEX SOCKET SET SCREW WITH FLAT POINT M10x10	2
12	SPR-000002	SPRING 2x2 MT2	1
13	WYP-0203-06-02-00-0	PLUNGER	1
14	USZ-0203-06-03-00-0	SEAL	1
15	PDK-0139-00-04-00-0	WASHER 18.8x10x1	1
16	PRS-000009	INTERNAL RETAINING RING 19w	1
17	KLC-000005	2.5 MM HEX WRENCH	1
18	KLC-000007	4 MM HEX WRENCH	1
19	KLC-000008	5 MM HEX WRENCH	1
20	KLN-0103-01-00-00-0	WEDGE MT2	1

This document is protected by copyrights.

Copying, using, or distributing without permission of Ansa Group Ltd is prohibited.

ITEM	PART NUMBER	DESCRIPTION	Q-TY
21	KLC-000003	8 MM COMBINATION WRENCH	1
22	DZW-0212-12-00-00-0	SPOKE HANDLE	3
23	LNC-0223-00-01-00-0	SAFETY CHAIN	1
24	OPK-000001	TOOL CAN	1



ITEM	PART NUMBER	DESCRIPTION	Q-TY
1	SRB-000086	HEX SOCKET HEAD CAP SCREW M5x20	3
2	SRB-000087	HEX SOCKET HEAD CAP SCREW M5x25	2
3	PDK-000044	SPRING WASHER 5.1	2
4	PKR-0632-03-02-00-1	GEARBOX COVER	1
5	WLK-0459-03-03-00-0	PINION SHAFT T=14, T=20 ASSY	1
6	PRS-000017	EXTERNAL RETAINING RING 25z	1
7	LOZ-000047	BALL BEARING 25x47x12	1
8	WLK-0459-03-03-01-0	PINION SHAFT T=14, T=20	1
9	PDK-0211-00-15-00-0	WASHER 10.1x15x1	1
10	PSW-0459-03-04-00-1	SHIFT FORK ASSY	1
11	WKR-000136	HEX SOCKET COUNTERSUNK HEAD SCREW M5x16	1
12	WDL-0459-03-04-02-1	SHIFT FORK	1
13	WLK-0459-03-04-01-0	SHAFT	1
14	PRS-000030	INTERNAL RETAINING RING 47w	1
15	WPS-0459-03-05-00-0	KEY 5X5X50	1
16	KOL-0459-03-02-00-0	CLUSTER GEAR z64/z58	1
17	WKR-000092	HEX SOCKET BUTTON HEAD SCREW M4x10	2
18	WKR-000313	HEX SOCKET BUTTON HEAD SCREW M3x8	2
19	TBL-0202-00-30-00-0	GEAR PLATE	1
20	SRB-000087	HEX SOCKET HEAD CAP SCREW M5x25	1
21	PDK-000045	SPRING WASHER 5.1	1
22	TLJ-0171-00-22-00-0	SWITCH SLEEVE	1
23	SPR-0171-00-23-00-0	SWITCH SPRING	1
24	DZW-0171-00-24-00-0	SHIFT LEVER	1
25	KLK-000004	SPRING PIN 3x12	1
26	KRP-0632-03-01-00-0	GEARBOX BODY ASSY	1
27	KLK-000046	DOWEL PIN 5n6x14	2
28	LOZ-000009	NEEDLE BEARING 10x16x10	1
29	SRB-000082	HEX SOCKET HEAD CAP SCREW M5x14	1
30	PDK-000044	SPRING WASHER 5.1	3
31	KRP-0632-03-01-01-1	GEARBOX BODY	1
32	LST-0399-02-02-03-0	GEAR RACK	1
33	SRB-000086	HEX SOCKET HEAD CAP SCREW M5x20	1
34	PRS-000017	EXTERNAL RETAINING RING 25z	1
35	LOZ-000028	BALL BEARING 25x47x12	1
36	PRS-000021	EXTERNAL RETAINING RING 30z	1
37	LOZ-000075	BEARING 30x62x16	1
38	WRZ-0459-03-01-02-1	SPINDLE	1
39	PRS-000035	INTERNAL RETAINING RING 62w	1
40	OSL-0459-10-00-00-0	GUARD ASSY	1
41	WKR-000136	HEX SOCKET COUNTERSUNK HEAD SCREW M5x16	2
42	PRW-0459-09-00-00-0	GUARD'S SLIDE	1
43	PLC-0143-03-06-00-2	STOP PIN L=70	1
44	WKR-000107	HEX SOCKET BUTTON HEAD SCREW M8x25	2
45	PDK-000051	SPRING WASHER 8.2	2
46	ZLC-0418-19-00-00-0	COUPLING 3/4 - 1/2	1
47	USZ-000014	SEAL 3/4	1
48	SLN-000182	MOTOR	1
49	PRS-000138	INTERNAL RETAINING RING 40w	1
50	PRS-000007	EXTERNAL RETAINING RING 17z	1
51	LOZ-000064	BALL BEARING 17x40x12	1

This document is protected by copyrights.

Copying, using, or distributing without permission of Ansa Group Ltd is prohibited.

ITEM	PART NUMBER	DESCRIPTION	Q-TY
52	LOZ-000099	NEEDLE BEARING 30x37x20	1
53	PRS-000019	EXTERNAL RETAINING RING 28z	1
54	SRB-000114	HEX SOCKET HEAD CAP SCREW M6x20	2
55	PDK-000046	SPRING WASHER 6.1	2
56	KRP-0632-02-00-00-0	BODY ASSY	1
57	LST-0257-01-03-00-0	BENT GIB	1
58	SRB-000086	HEX SOCKET HEAD CAP SCREW M5x20	5
59	PDK-000017	ROUND WASHER 5.3	5
60	LST-0399-01-01-02-1	ADJUSTABLE GIB	1
61	SPR-000043	SPRING 1.6x8x14.5	4
62	PDK-0257-08-00-00-0	SPRING WASHER	4
63	SRB-000087	HEX SOCKET HEAD CAP SCREW M5x25	4
64	TLJ-000010	SELF-LUBRICATING SLEEVE 28.05x32x1	2
65	KRP-0632-02-01-00-1	BODY	1
66	WKL-0459-11-00-00-0	BODY INSERT	2
67	NKR-000016	HEX NUT M5	3
68	WKR-000043	HEX SOCKET SET SCREW WITH FLAT POINT M5x10	3
69	USZ-000016	SEAL WASHER 3/8	2
70	RRA-0459-02-03-00-0	BODY PIPE II	1
71	RRA-0459-02-02-00-0	BODY PIPE I	1
72	KST-0459-02-04-00-0	BODY BLOCK	1
73	PAS-0212-00-23-00-1	D-RING STRAP	1
74	SRB-000106	HEX SOCKET HEAD CAP SCREW M6x16	2
75	PDK-000046	SPRING WASHER 6.1	2
76	SRB-000142	HEX SOCKET HEAD CAP SCREW M8x16	2
77	PDK-000051	SPRING WASHER 8.2	2
78	PLY-0632-01-02-00-0	MOUNTING PLATE	1
79	WKL-0459-01-03-00-0	MOUNTING PLATE INSERT	1
80	WKR-000130	HEX SOCKET COUNTERSUNK HEAD SCREW M4x10	1
81	RKJ-0459-08-00-00-0	OVAL KNOB ASSY	1
82	WKR-000129	HEX SOCKET COUNTERSUNK HEAD SCREW M4x6	1
83	BLO-0632-01-04-00-0	MAGNET BLOCK	1
84	BLD-0459-01-05-00-0	STOP BLOCK	1
85	SRB-000075	HEX SOCKET HEAD CAP SCREW M5x10	2
86	WKR-000136	HEX SOCKET COUNTERSUNK HEAD SCREW M5x16	1
87	WLK-0418-17-00-00-0	BASE SHAFT	1
88	ZBT-0418-11-00-00-0	ON/OFF GEAR	1
89	WKR-000396	HEX SOCKET SET SCREW WITH DOG POINT M6x6	1
90	SRB-000071	HEX SOCKET HEAD CAP SCREW M4x6	1
91	ZSP-0632-01-01-00-0	VALVE ASSY	1
92	PRS-0459-01-01-03-0	SHAFT RING	1
93	WLK-0459-01-01-01-0	VALVE SHAFT	1
94	PRS-000125	SEAL 12x18x4	4
95	TLJ-0215-00-29-00-0	SLEEVE I	1
96	TLJ-0418-10-16-00-0	CENTER SLEEVE	1
97	TLJ-0418-10-17-00-0	SLEEVE II	1
98	WKR-000398	HEX SOCKET COUNTERSUNK HEAD SCREW M3x8	4
99	ZLP-0418-10-13-00-0	COVER	1
100	USZ-0418-10-05-00-0	COVER SEAL	1
101	KRP-0520-04-01-00-1	VALVE BODY	1
102	PRS-000030	INTERNAL RETAINING RING 47w	1
103	ZLP-0418-10-03-00-0	PISTON PLUG	1

This document is protected by copyrights.

Copying, using, or distributing without permission of Ansa Group Ltd is prohibited.

ITEM	PART NUMBER	DESCRIPTION	Q-TY
104	PRS-000242	O-RING 42x2	1
105	TLK-0418-10-02-01-0	PISTON	1
106	PRS-000194	O-RING 39.2x3	1
107	LST-0418-10-02-02-0	PISTON GEAR RACK	1
108	PRS-000233	O-RING 15.3x2.4	1
109	WKR-000040	HEX SOCKET SET SCREW WITH FLAT POINT M12x8	5
110	ZTR-000001	BALL LOCK 8	1
111	PPC-0418-10-08-00-0	VALVE TAPPET	1
112	DCS-0418-10-04-00-0	STOP PLUG	1
113	PRS-000240	O-RING 9x2	1
114	SPR-0418-10-07-00-0	SPRING	1
115	PRS-000253	O-RING 17x2	2
116	PRS-0418-10-06-00-0	LOCKING RING	1
117	PRS-000012	INTERNAL RETAINING RING 21w	1
118	PRS-000243	SEAL 4x8.2x4	1
119	PRS-0418-10-09-00-0	EXTERNAL RING	1
120	PRS-000016	INTERNAL RETAINING RING 24w	1
121	WKR-000026	HEX SOCKET SET SCREW WITH FLAT POINT M5x8	1
122	PDK-0418-10-11-00-0	WASHER	1
123	WLK-0459-01-01-04-0	HANDLE SHAFT	1
124	KLK-000043	DOWEL PIN 4n6x8	1
125	OBS-0418-10-10-00-0	HANDLE HOLDER	1
126	WKR-000132	HEX SOCKET COUNTERSUNK HEAD SCREW M4x16	3
127	KLK-000032	DOWEL PIN 4n6x10	1
128	DZW-0632-01-01-01-0	HANDLE	1
129	TRZ-000006	INDEXING PLUNGER	1
130	WKR-000336	HEX SOCKET ROUND HEAD SCREW WITH FLANGE M6x10	1
131	KRC-000005	MALE PLUG G3/8	1
132	PKR-0459-01-01-02-0	COVER	1
133	WKR-000398	HEX SOCKET COUNTERSUNK HEAD SCREW M3x8	3
134	TLM-000002	SILENCER G1/4	1
135	ZLC-0459-12-00-00-0	COUPLING 3/8 - M22x1.5	2
136	ZLP-0418-12-00-00-0	GEAR PLUG	1
137	SRB-000135	HEX SOCKET HEAD CAP SCREW M6x65	2
138	PWD-0459-06-00-00-0	MOTOR HOSE ASSY	1
139	SRB-000115	HEX SOCKET HEAD CAP SCREW M6x25	2
140	PDK-000046	SPRING WASHER 6.1	2
141	ZLC-0418-18-00-00-0	COUPLING M22x1.5 - 3/8	2
142	PWD-0459-07-00-00-0	VALVE HOSE ASSY	1
143	WLK-0212-00-07-00-1	PINION SHAFT	1
144	MSK-0632-04-00-00-0	PANEL PLATE ASSY	1
145	WKR-000092	HEX SOCKET BUTTON HEAD SCREW M4x10	4