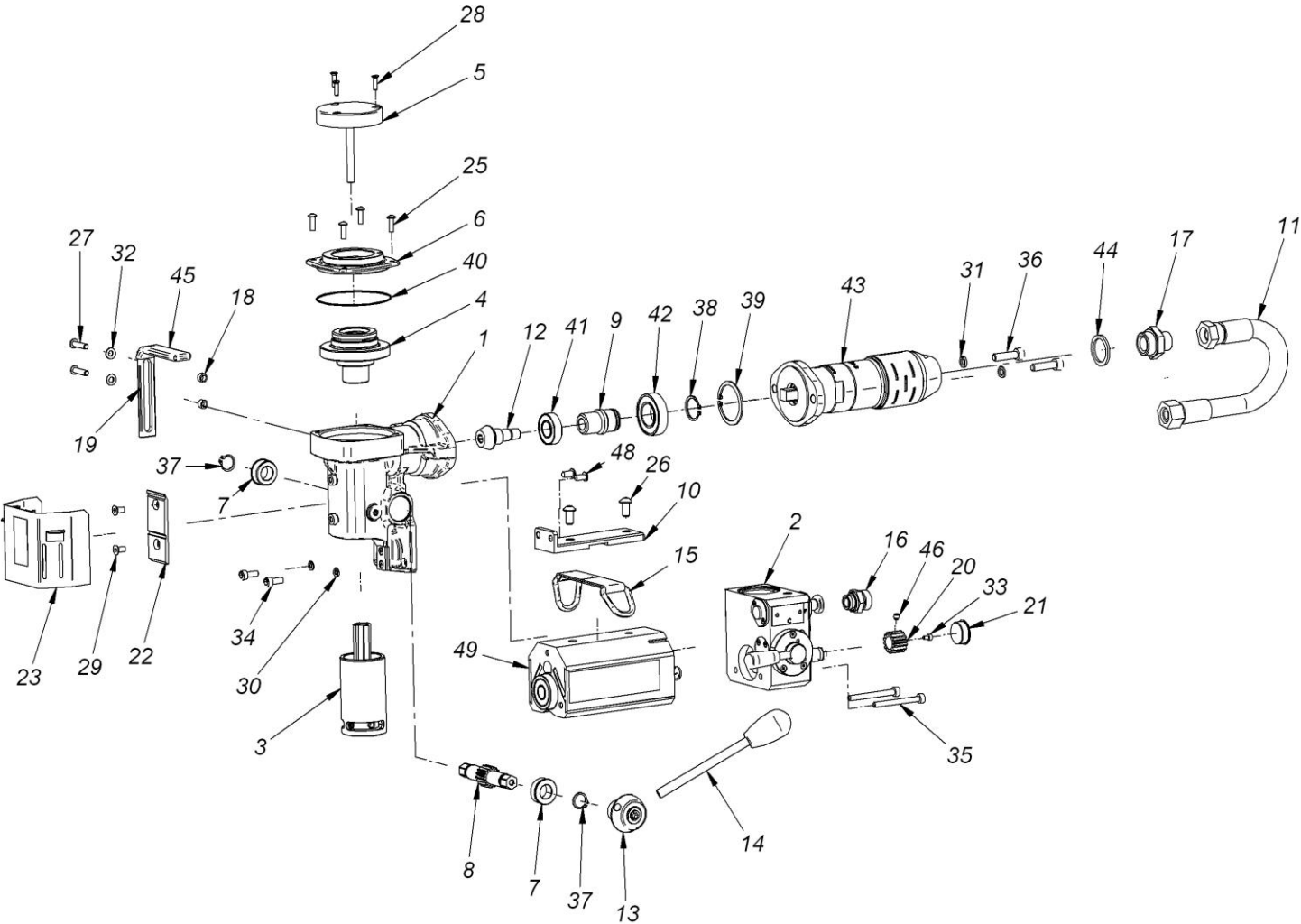
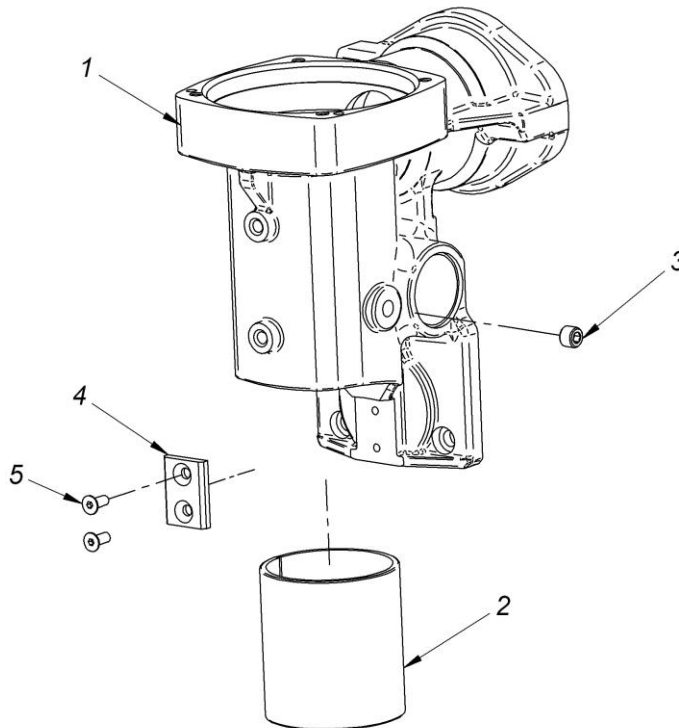


AIRBEAST 35			
ITEM	JEI PART NUMBER	DESCRIPTION	QTY
1	AIR35-1	MAIN BODY ASSEMBLY	1
2	AIR35-2	VALVE ASSEMBLY	1
3	AIR35-3	QUILL ASSEMBLY	1
4	AIR35-4	BEVEL GEAR T=39 ASSEMBLY,	1
5	AIR35-5	GEAR BOX COVER ASSEMBLY,	1
6	AIR35-6	BEARING NUT HOLDER,	1
7	AIR35-7	SLEEVE	2
8	AIR35-8	PINION	1
9	AIR35-9	DRIVER	1
10	AIR35-10	MAIN BODY BRACKET	1
11	AIR35-11	MOTOR HOSE ASSY	1
12	AIR35-12	GEARSHAFT T=11,	1
13	AIR35-13	HEAD ASSEMBLY,	1
14	35407	SPOKE HANDLE INCLUDING 35406 KNOB (ASSY)	1
15	AIR35-15	D-RING STRAP	1
16	AIR35-16	STRAIGHT COUPLING 1/2" - 3/8"	1
17	AIR35-17	STRAIGHT COUPLING 3/4" - 3/8"	1
18	AIR35-18	HOLDER SLEEVE	2
19	AIR35-19	HOLDER	1
20	AIR35-20	TURN ON/OFF GEAR	1
21	AIR35-21	GEAR PLUG	1
22	AIR35-22	GUARD'S SLIDE	1
23	AIR35-23	GUARD ASSEMBLY	1
25	AIR35-25	SOCKET BUTTON HEAD CAP SCREW M5x16	4
26	AIR35-26	SCREW M8x16	2
27	AIR35-27	SOCKET BUTTON HEAD CAP SCREW M6x16,	2
28	AIR35-28	SCR, M4 x 16 FHSCS	3
29	AIR35-29	SCR, M6 x 12 FHSCS	2
30	MB4.2.28	SPRING WASHER 6,1	2
31	MB4.1.5	SPRING WASHER 8.2	2
32	AIR35-32	ROUND WASHER 6,4	2
33	AIR35-33	HEX. SOCKET BOLT M4x6	1
34	AIR35-34	HEX. SOCKET BOLT M6x20	2
35	AIR35-35	HEX. SOCKET BOLT M6x65	2
36	AIR35-36	HEX SOCKET BOLT-M8X30	2
37	AIR35-37	EXTERNAL RETAINING RING 16z	2
38	MB4.2.26	EXTERNAL RETAINING RING 25z	1
39	AIR35-2.30	INTERNAL RETAINING RING-47W	1
40	AIR35-40	SEAL RING 80x1,3,	1
41	06710	BEARING BALL 6003	1
42	07122	BEARING, BALL 6005 ZZ	1
43	AIR35-43	AIR MOTOR	1
44	AIR35-44	SEAL, 3/4"	1

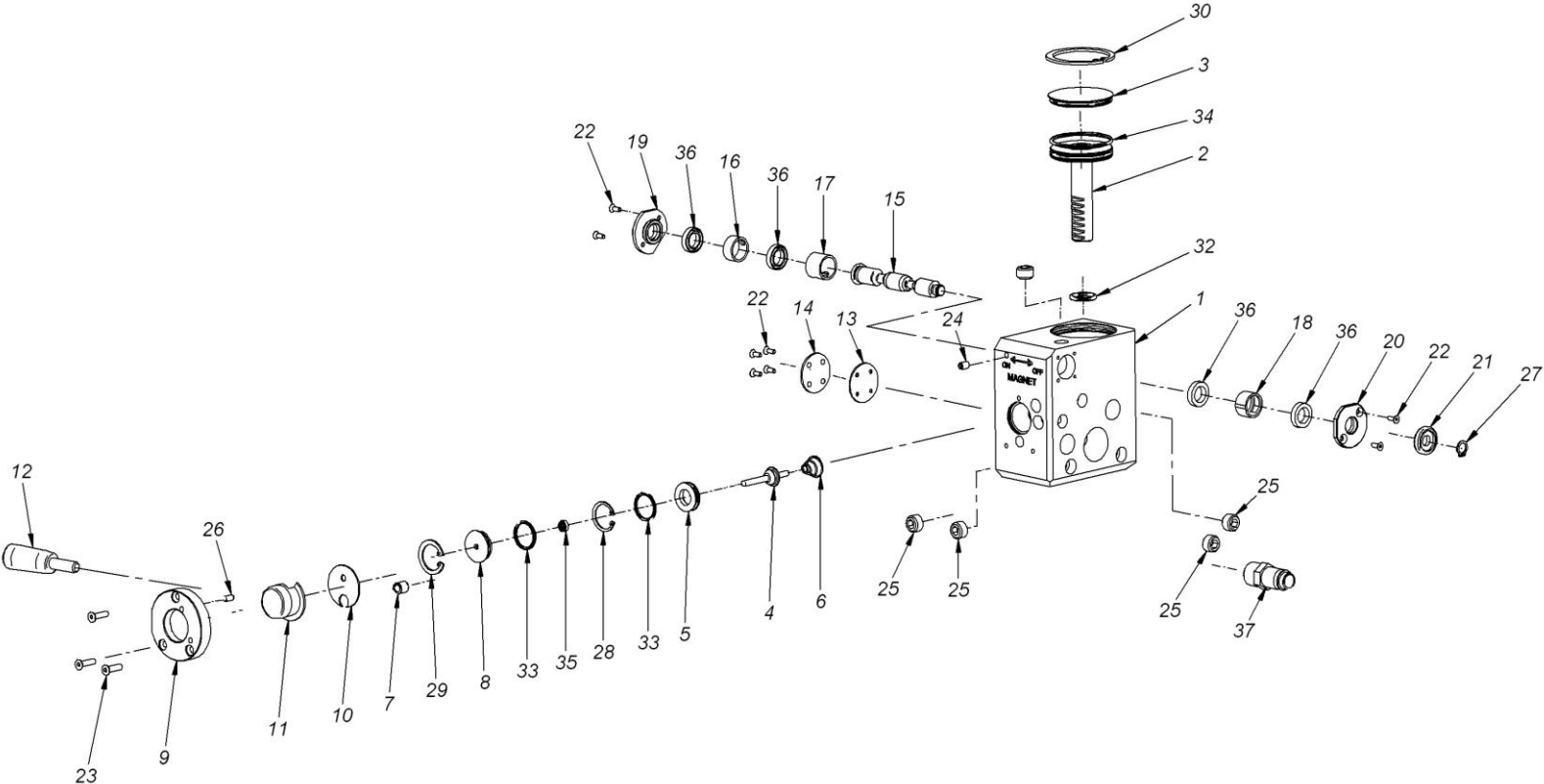
45	AIR35-45	SWITCH CONNECTOR	1
46	AIR35-46	HEX SET SCREW-M6 x 6	1
48	AIR35-48	SOCKET BUTTON HEAD CAP SCREW M6x12	2
49	AIR35-49	MAGNET BASE	1
51.1*	AIR35-51.1	COOLING SYSTEM	1



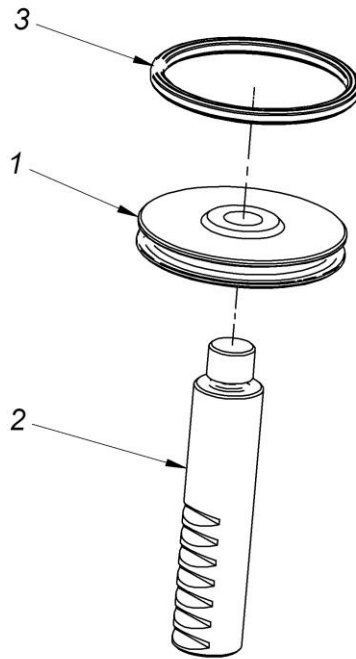
MAIN BODY ASSEMBLY			
ITEM	JEI PART NUMBER	DESCRIPTION	QTY
1.1	AIR35-1.1	MAIN BODY	1
1.2	AIR35-1.2	BUSHING PERMAGLIDE	1
1.3	AIR35-1.3	HEX. INSERT SCREW M8x6	1
1.4	AIR35-1.4	MAIN BODY PLATE	1
1.5	AIR35-1.5	SCR, M4 x 10 FHSCS	2



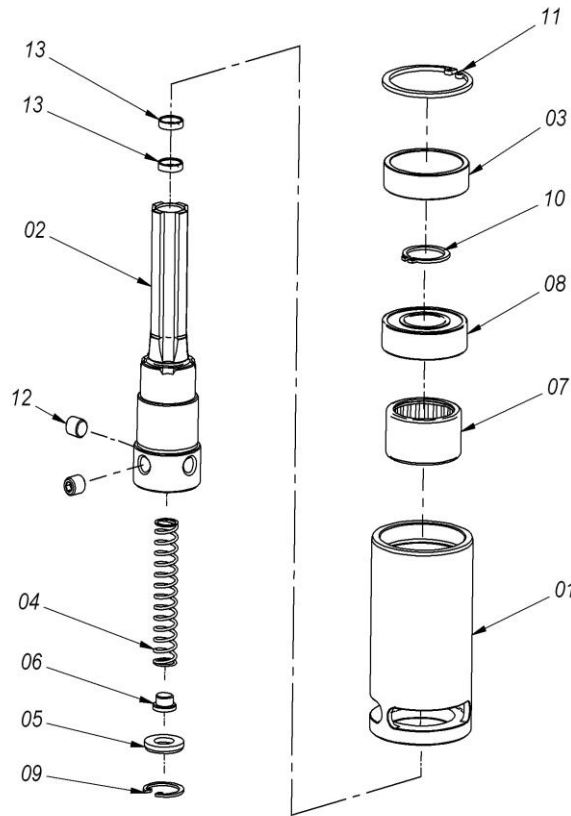
VALVE ASSEMBLY			
ITEM	JEI PART NUMBER	DESCRIPTION	QTY
2.1	AIR35-2.1	VALVE HOUSING	1
2.2	AIR35-2.2	PISTON ASSY	1
2.3	AIR35-2.3	PISTON PLUG	1
2.4	AIR35-2.4	STOP PLUG	1
2.5	AIR35-2.5	LOCKING RING	1
2.6	AIR35-2.6	SPRING	1
2.7	AIR35-2.7	BALL LOCK GN 614-8-NI	1
2.8	AIR35-2.8	EXTERNAL RING	1
2.9	AIR35-2.9	HANDLE HOLDER	1
2.10	AIR35-2.10	WASHER	1
2.11	AIR35-2.11	HANDLE SHAFT	1
2.12	AIR35-2.12	HANDLE ASSY	1
2.13	AIR35-2.13	SEAL COVER	1
2.14	AIR35-2.14	COVER	1
2.15	AIR35-2.15	DIVIDING SHAFT	1
2.16	AIR35-2.16	SLEEVE I	1
2.17	AIR35-2.17	SLEEVE CENTER	2
2.18	AIR35-2.18	SLEEVE II	1
2.19	AIR35-2.19	COVER I	1
2.20	AIR35-2.20	COVER II	1
2.21	AIR35-2.21	SHAFT RING	1
2.22	AIR35-2.22	SCR, M3 x 8 FHSCS	8
2.23	AIR35-28	SCR, M4 x 16 FHSCS	3
2.24	AIR35-2.24	HEX. INSERT SCREW M5x8	1
2.25	AIR35-2.25	HEX. INSERT SCREW M12x8	4
2.26	AIR35-2.26	PIN 4x10	1
2.27	AIR35-2.27	EXTERNAL RETAINING RING 8z	1
2.28	AIR35-2.28	RETAINING RING INTERNAL 21w	1
2.29	AIR35-2.29	RETAINING RING INTERNAL 24w	1
2.30	AIR35-2.30	INTERNAL RETAINING RING-47W	1
2.32	AIR35-2.32	O-RING 15,3x2,4	1
2.33	AIR35-2.33	O-RING 18x2	2
2.34	AIR35-2.34	O-RING 42x2	1
2.35	AIR35-2.35	SEAL, 4x8,2x4	1
2.36	AIR35-2.36	SEAL U2 012x18.4	4
2.37	AIR35-2.37	MALE PLUG, G3/8" 10mm	1



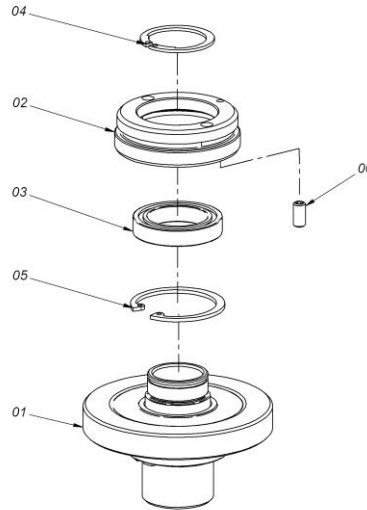
PISTON ASSY			
ITEM	JEI PART #	DESCRIPTION	QTY
2.2.1	AIR35-2.2.1	PISTON	1
2.2.2	AIR35-2.2.2	PISTON GEAR RACK	1
2.2.3	AIR35-2.2.3	O-RING 39,2x3	1



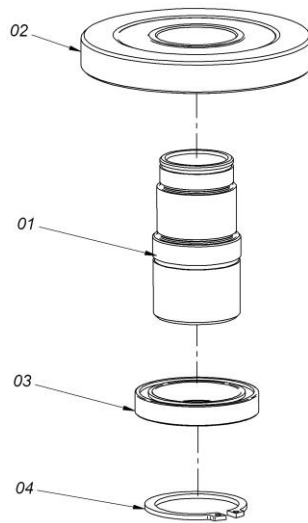
QUILL ASSEMBLY			
ITEM	JEI PART #	DESCRIPTION	QTY
3.1	AIR35-3.1	QUILL CARRIER,	1
3.2	AIR35-3.2	SPINDLE,	1
3.3	AIR35-3.3	DISTANCE SLEEVE,	1
3.4	AIR35-3.4	SPRING,	1
3.5	JM201.02.02.05	SEAL	1
3.6	AIR35-3.6	PLUNGER,	1
3.7	AIR35-3.7	NEEDLE BEARING RHNA303720,	1
3.8	AIR35-3.8	BEARING BALL 6004 2RS	1
3.9	0215067	INTERNAL RETAINING RING 19W	1
3.10	AIR35-3.10	EXTERNAL RETAINING RING- 20Z	1
3.11	MB4.2.2.12	INTERNAL RETAINING RING - 42W	1
3.12	JM201.02.02.07	HEX SET SCREW M8x10	2
3.13	AIR35-3.13	SEAL RING TRK000080,	2



BEVEL GEAR T=39 ASSEMBLY			
ITEM	JEI PART #	DESCRIPTION	QTY
4.1	AIR35-4.1	BEVEL GEAR T=39 ASSY / INCL. SLEEVE	1
4.2	AIR35-4.2	BEARING NUT	1
4.3	AIR35-4.3	BEARING BALL 61805 2RS	1
4.4	AIR35-4.4	EXTERNAL RETAINING RING 25Z TYPE A	1
4.5	AIR35-4.5	INTERNAL RETAINING RING 37W	1
4.6	MB2.1.1.8	HEX SET SCREW M5x10	1



BEVEL GEAR T=39 ASSY / INCL. SLEEVE			
ITEM	JEI PART #	DESCRIPTION	QTY
4.1.1	AIR35-4.1.1	SLEEVE	1
4.1.2	AIR35-4.1.2	BEVEL GEAR T=39	1
4.1.3	AIR35-4.1.3	BEARING BALL 6806 LLU	1
4.1.4	MB2.2.2.8	EXTERNAL RETAINING RING 30z	1



GEAR BOX COVER ASSEMBLY			
ITEM	JEI PART #	DESCRIPTION	QTY
5.1	AIR35-5.1	GEAR BOX COVER	1
5.2	AIR35-5.2	JUMPER	1
5.3	MB4.2.2.4	COOLING TIP	1

