

RAILBEAST CORDLESS RDC-36



Rail Track



Mining

HIGH-PERFORMANCE CORDLESS RAIL DRILLING

Designed for modern rail maintenance and infrastructure projects, the JEI RailBeast delivers powerful drilling performance with the freedom of cordless operation.



A robust clamping system enables fast setup and precise hole positioning, while interchangeable templates allow the machine to be configured for a wide range of rail profiles.



PROTECTIVE BATTERY COVER

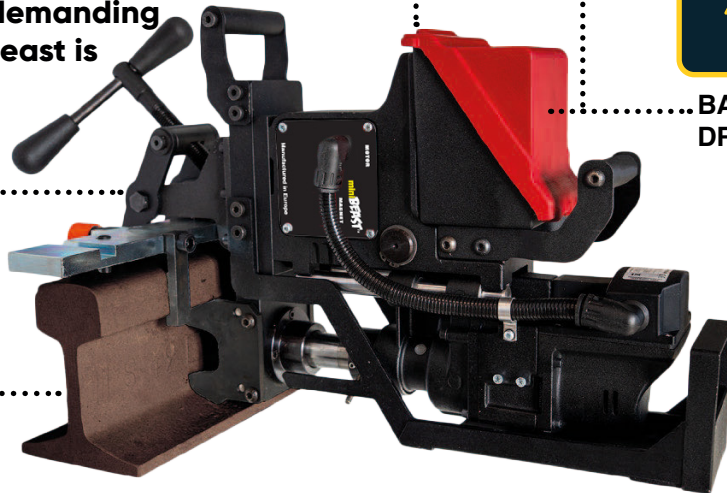
Compact, portable, and built for demanding trackside environments, the Rail Beast is the professional choice for rail drilling applications.



BATTERY DRIVE



CUSTOM MADE POSITIONERS AVAILABLE ON REQUEST



CUSTOM MADE TEMPLATES AVAILABLE ON REQUEST



4.0 Ah Battery



5.0 Ah Battery



10.0 Ah Battery



Battery Charger

CHARGING TIME

4.0 Ah	-	30 min
5.0 Ah	-	41 min
10.0 Ah	-	74 min



CORE DRILL
Max
36 mm Ø



TWIST DRILL
Max
16 mm Ø



DEPTH OF CUT
Max
30 mm



STROKE
Max
40 mm



SPEED
350 RPM



POWER
1020 W

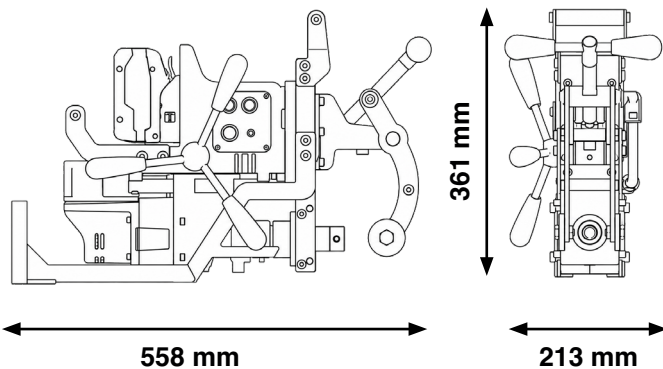


WEIGHT
14.5 kg

RAILBEAST CORDLESS RDC-36

SOLUTIONS FOR RAIL

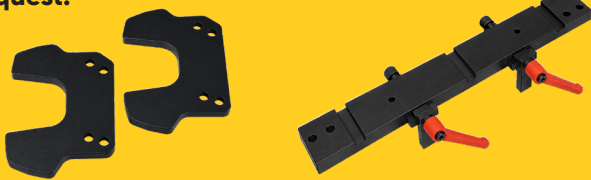
DIMENSIONS



MACHINE SPECIFICATIONS

Motor Power	1020 W
Weight	14.5 kg
Max Cutter Capacity	36 mm
Max Twist Drill Capacity	16 mm
Stroke	40 mm
Max Depth of Cut	30 mm
Speeds (Under Load)	260 rpm
Voltage	18 V DC
Dimensions L x W x H	558 x 213 x 361 mm
Tool Holder	19 mm Weldon

Compatible with a wide range of rail profiles. Custom templates and positioners available on request.



Heavy-duty illuminated tamper-resistant control panel built for trackside use.

RAIL CUTTERS HIGH-PERFORMANCE CUTTERS ENGINEERED FOR SPEED, DURABILITY, AND PRECISION



TURBO™ RAIL TCT TOUGH

- Long tool life
- Precise holes
- Ideal for rail track
- 25 mm depth of cut

JEIRCS AVAILABLE IN 14-38 mm Ø



TURBO™ RAIL+ TCT SUPER TOUGH

- Unrivalled performance
- Heat and wear protection
- All types of rail track
- 25 mm depth of cut

JEIRCSE AVAILABLE IN 14-38 mm Ø

Optional accessories:

- PJM-0676-10-00-00-0 5L Pressurised Coolant System
- UST-0275-00-01-00-0 S49 Rail Profile Template
- UST-0275-00-02-00-0 UIC 60 Rail Profile Template
- UST-0275-00-03-00-0 P50 Rail Profile Template
- UST-0275-00-04-00-0 P65 Rail Profile Template
- UST-0275-00-06-00-0 NP46 Rail Profile Template
- UST-0275-00-07-00-0 UIC54 Rail Profile Template
- WZR-0275-99-00-00-0 S49 Hole Centre Positioner
- WZR-0275-14-00-00-0 UIC 60 Hole Centre Positioner
- WZR-0275-15-00-00-0 P50 Hole Centre Positioner
- WZR-0275-16-00-00-0 P65 Hole Centre Positioner
- WZR-0275-23-00-00-0 NP46 Hole Centre Positioner
- WZR-0275-24-00-00-1 UIC54 Hole Centre Positioner
- ZSP-0275-38-00-00-0 Double-sided counter-sinking tool Ø 36mm

