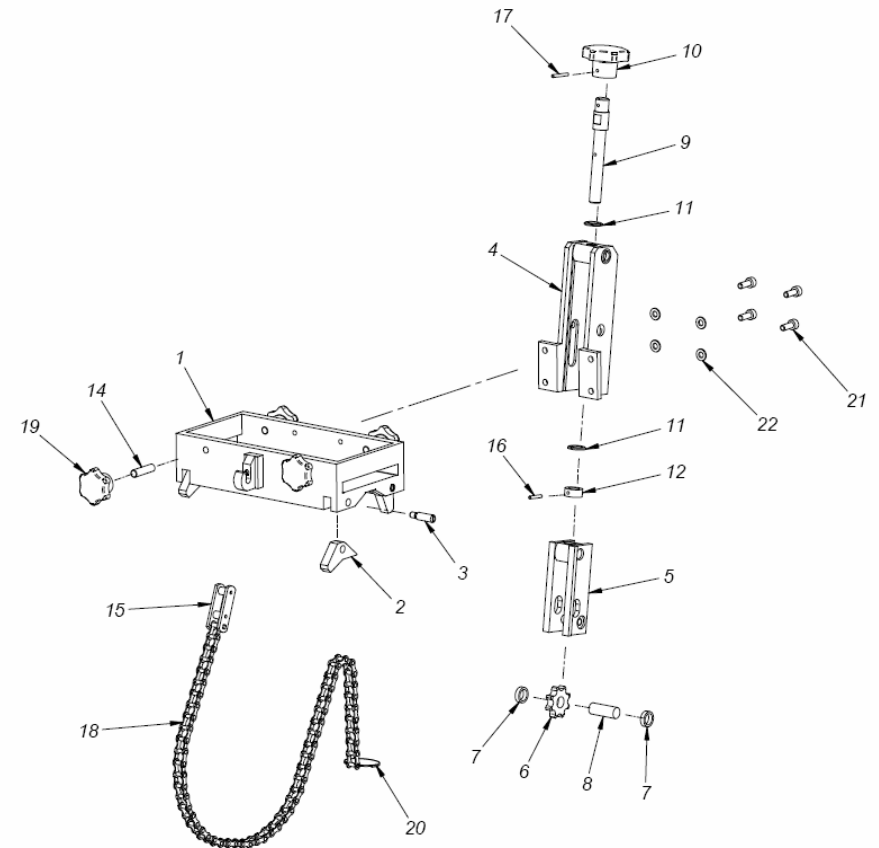


SMALL CHAIN BASE Parts List

Part number: JEICB-S		SMALL CHAIN BASE	
ITEM	JEI PART NUMBER	DESCRIPTION	Q-TY
1	JEICB-S1	MAIN BODY	1
2	JEICB-2	BRACKET	4
3	JEICB-3	SPECIAL BOLT	4
4	JEICB-4	SUPPORT ASSEMBLY	1
5	JEICB-5	SLIDER	1
6	JEICB-6	SPROCKET-WHEEL	1
7	JEICB-7	DISTANCE RING	2
8	JEICB-8	WHEEL AXLE	1
9	JEICB-9	BOLT	1
10	JEICB-10	HANDWHEEL	1
11	JEICB-11	WASHER	2
12	JEICB-12	STOP COLLAR	1
14	JEICB-S14	STUD-BOLT	4
15	JEICB-15	CHAIN TIP	1
16	JEICB-16	SPRING PIN 3x20	1
17	JEICB-17	SPRING PIN 3x26	1
18	JEICB-18	CHAIN 1/2"	1
19	JEICB-19	HANDWHEEL M8	4
20	JEICB-20	COTTER PIN	1
21	JEICB-21	HEX. SOCKET BOLT M6X16	4
22	JEICB-22	ROUND WASHER 6.4	4
23	JEICB-S23	PACKAGING ZRO 250	1



LARGE CHAIN BASE Parts List

Part number: JEICB-L		LARGE CHAIN BASE	
ITEM	JEI PART NUMBER	DESCRIPTION	Q-TY
1	JEICB-L1	MAIN BODY	1
2	JEICB-2	BRACKET	4
3	JEICB-3	SPECIAL BOLT	4
4	JEICB-4	SUPPORT ASSEMBLY	1
5	JEICB-5	SLIDER	1
6	JEICB-6	SPROCKET-WHEEL	1
7	JEICB-7	DISTANCE RING	2
8	JEICB-8	WHEEL AXLE	1
9	JEICB-9	BOLT	1
10	JEICB-10	HANDWHEEL	1
11	JEICB-11	WASHER	2
12	JEICB-12	STOP COLLAR	1
14	JEICB-L14	STUD-BOLT	4
15	JEICB-15	CHAIN TIP	1
16	JEICB-16	SPRING PIN 3x20	1
17	JEICB-17	SPRING PIN 3x26	1
18	JEICB-18	CHAIN 1/2"	1
19	JEICB-19	HANDWHEEL M8	4
20	JEICB-20	COTTER PIN	1
21	JEICB-21	HEX. SOCKET BOLT M6X16	4
22	JEICB-22	ROUND WASHER 6.4	4
23	JEICB-L23	PACKAGING	1

